



Aluminum electrolytic capacitors

Capacitors with screw terminals

Series/Type: B43740, B43760

Date: December 2010

Long-life grade capacitors

Applications

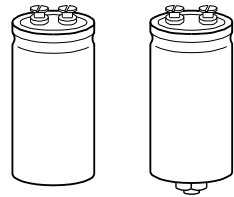
- Frequency converters
- Traction
- Professional power supplies

Features

- Outstanding reliability
- Good thermal characteristics and high ripple current capability
- Extra long useful life
- Wide temperature range
- All-welded constructions ensures reliable electrical contact
- PAPR terminals available (Protection Against Polarity Reversal)
- Version with optimized construction for base cooling (heat sink mounting) available
- Version with low-inductance design available
- RoHS-compatible

Construction

- Charge-discharge proof, polar
- Aluminum case with insulating sleeve
- Poles with screw terminal connections
- Mounting with ring clips, clamps or threaded stud
- The bases of types with threaded stud and $d \leq 76.9$ mm are not insulated, types with $d = 91$ mm have fully insulated bases



B43740

B43760


Specifications and characteristics in brief

| | | | | | | |
|--|--|--|--|---|--|----|
| Rated voltage V_R | 350 ... 450 V DC | | | | | |
| Surge voltage V_S | 1.10 · V_R (105 °C: $V_R \leq 400$ V DC, 85 °C: $V_R = 450$ V DC) | | | | | |
| Rated capacitance C_R | 1000 ... 18000 μ F | | | | | |
| Capacitance tolerance | $\pm 20\% \triangle M$ | | | | | |
| Leakage current I_{leak} (20 °C, 5 min) | $I_{leak} \leq 0.018 \mu A \cdot \left(\frac{C_R}{\mu F} \cdot \frac{V_R}{V} \right)^{0.85} + 4 \mu A$ | | | | | |
| Self-inductance ESL | d = 51.6 mm: approx. 15 nH d \geq 64.3 mm: approx. 20 nH Capacitors with low-inductance design: d \geq 64.3 mm: approx. 13 nH | | | | | |
| Useful life | | Requirements: | | | | |
| 105 °C; V_R ; $I_{AC,R}$ | > 6000 h | $\Delta C/C \leq \pm 30\%$ of initial value | | | | |
| 85 °C; V_R ; $I_{AC,R}$ | > 30000 h | ESR ≤ 3 times initial specified limit | | | | |
| 40 °C; V_R ; 2.0 · $I_{AC,R}$ | > 250000 h | $I_{leak} \leq$ initial specified limit | | | | |
| Voltage endurance test | | Post test requirements: | | | | |
| 105 °C; V_R ; $I_{AC,R}$ | 2000 h | $\Delta C/C \leq \pm 10\%$ of initial value | | | | |
| | | ESR ≤ 1.3 times initial specified limit | | | | |
| | | $I_{leak} \leq$ initial specified limit | | | | |
| Vibration resistance test | To IEC 60068-2-6, test Fc: Frequency range 10 ... 55 Hz, displacement amplitude 0.75 mm, acceleration max. 10 g, duration 3 × 2 h. Capacitor mounted by its body which is rigidly clamped to the work surface. | | | | | |
| Characteristics at low temperature | Max. impedance ratio at 100 Hz | <table border="1"> <tr> <td>$\frac{Z_{-25^\circ C}}{Z_{20^\circ C}}$</td> <td>4</td> </tr> <tr> <td>$\frac{Z_{-40^\circ C}}{Z_{20^\circ C}}$</td> <td>10</td> </tr> </table> | $\frac{Z_{-25^\circ C}}{Z_{20^\circ C}}$ | 4 | $\frac{Z_{-40^\circ C}}{Z_{20^\circ C}}$ | 10 |
| $\frac{Z_{-25^\circ C}}{Z_{20^\circ C}}$ | 4 | | | | | |
| $\frac{Z_{-40^\circ C}}{Z_{20^\circ C}}$ | 10 | | | | | |
| IEC climatic category | To IEC 60068-1: 40/105/56 | | | | | |
| Detail specification | Similar to CECC 30301-803, CECC 30301-807 | | | | | |
| Sectional specification | IEC 60384-4 | | | | | |

Ripple current capability

Due to the ripple current capability of the contact elements, the following current upper limits must not be exceeded:

| | | | | |
|--------------------|---------|---------|---------|-------|
| Capacitor diameter | 51.6 mm | 64.3 mm | 76.9 mm | 91 mm |
| $I_{AC,max}$ | 34 A | 45 A | 57 A | 80 A |

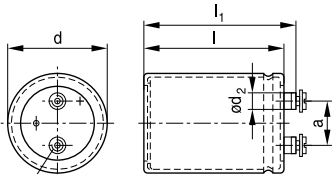


B43740, B43760

Extra long useful life – 105 °C

Dimensional drawings

B43740: Ring clip/clamp mounting

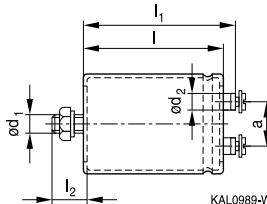


KAL1318-B-E

M5: Min. reach of screw = 9.5 mm
9 mm for low inductance design
M6: Min. reach of screw = 12 mm
9.5 mm for low inductance design

Positive pole marking: +

B43760: Threaded stud mounting



KAL0989-W

The base of types with threaded stud and $d = 91$ mm is fully insulated (the lengths l and l_1 are increased by 0.5 mm in these cases). For types with threaded stud and $d \leq 76$ mm the base is not insulated. Also refer to the mounting instructions in chapter "Capacitors with screw terminals – Accessories".

Dimensions and weights

| Ter- minal | Dimensions (mm) with insulating sleeve | | | | | | | Approx. weight (g) |
|---------------|--|-----------|-------------|-------------|-------|------------|---------------|-----------------------|
| | d | $l \pm 1$ | $l_1 \pm 1$ | $l_2 +0/-1$ | d_1 | d_2 max. | $a +0.2/-0.4$ | |
| M5 | 51.6 +0/-0.8 | 80.7 | 87.2 | 17 | M12 | 10.2 | 22.2 | 220 |
| M5 | 51.6 +0/-0.8 | 105.7 | 112.2 | 17 | M12 | 10.2 | 22.2 | 280 |
| M5 | 51.6 +0/-0.8 | 118.2 | 124.7 | 17 | M12 | 10.2 | 22.2 | 320 |
| M5 | 51.6 +0/-0.8 | 130.7 | 137.2 | 17 | M12 | 10.2 | 22.2 | 350 |
| M5 | 64.3 +0/-0.8 | 80.7 | 87.2 | 17 | M12 | 13.2 | 28.5 | 370 |
| M5 | 64.3 +0/-0.8 | 105.7 | 112.2 | 17 | M12 | 13.2 | 28.5 | 440 |
| M5 | 64.3 +0/-0.8 | 118.2 | 124.7 | 17 | M12 | 13.2 | 28.5 | 510 |
| M5 | 64.3 +0/-0.8 | 130.7 | 137.2 | 17 | M12 | 13.2 | 28.5 | 600 |
| M5 | 64.3 +0/-0.8 | 143.2 | 149.7 | 17 | M12 | 13.2 | 28.5 | 630 |
| M6 | 76.9 +0/-0.7 | 105.7 | 111.5 | 17 | M12 | 17.7 | 31.7 | 620 |
| M6 | 76.9 +0/-0.7 | 118.2 | 124.0 | 17 | M12 | 17.7 | 31.7 | 700 |
| M6 | 76.9 +0/-0.7 | 130.7 | 136.5 | 17 | M12 | 17.7 | 31.7 | 800 |
| M6 | 76.9 +0/-0.7 | 143.2 | 149.0 | 17 | M12 | 17.7 | 31.7 | 840 |
| M6 | 76.9 +0/-0.7 | 168.7 | 174.5 | 17 | M12 | 17.7 | 31.7 | 1000 |
| M6 | 76.9 +0/-0.7 | 190.7 | 196.5 | 17 | M12 | 17.7 | 31.7 | 1150 |
| M6 | 76.9 +0/-0.7 | 220.7 | 226.5 | 17 | M12 | 17.7 | 31.7 | 1300 |
| M6 | 91.0 +0/-2 | 144.5 | 149.8 | 17 | M12 | 17.7 | 31.7 | 1200 |
| M6 | 91.0 +0/-2 | 170.0 | 175.3 | 17 | M12 | 17.7 | 31.7 | 1400 |
| M6 | 91.0 +0/-2 | 191.0 | 196.3 | 17 | M12 | 17.7 | 31.7 | 1650 |
| M6 | 91.0 +0/-2 | 221.0 | 226.3 | 17 | M12 | 17.7 | 31.7 | 1900 |

Dimensions are also valid for low-inductance design.



Packing

| Capacitor diameter d (mm) | length l (mm) | Packing units (pcs.) |
|---------------------------|---------------|----------------------|
| 51.6 | all | 36 |
| 64.3 | all | 25 |

| Capacitor diameter d (mm) | length l (mm) | Packing units (pcs.) |
|---------------------------|---------------|----------------------|
| 76.9 | 105.7 - 168.7 | 16 |
| | 190.7 - 220.7 | 12 |
| 91.0 | all | 9 |



For ecological reasons the packing is pure cardboard.



B43740, B43760

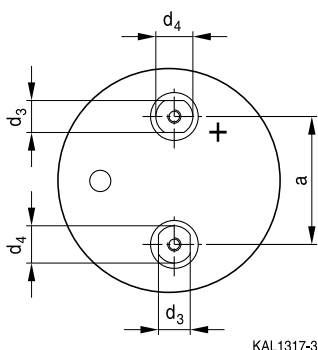
Extra long useful life – 105 °C

Special designs

- Low-inductance design
- PAPER terminal style

With our PAPER terminal style (**P**rotection **A**gainst **P**olarity **R**eversal) we offer an optional mechanical feature in addition to the visual polarity marking on the cover disk and the sleeve, which prevents from mounting in reverse polarity. The non-circular shape of the terminals and their arrangement perpendicular to each other enables the user to definitely prevent wrong mounting with respect to polarity (Poka Yoke).

Dimensional drawing of PAPER terminal configuration



Dimensions for PAPER terminal style (mm)

| Can diameter d | Terminal | $d_3 \pm 0.1$ | $d_4 \pm 0.1$ | a +0.2/-0.4 | Min. reach of screw | |
|----------------|----------|---------------|---------------|-------------|----------------------|-----------------------------|
| | | | | | Standard design #050 | For heat sink mounting #057 |
| 51.6 | M5 | 10 | 13 | 22.2 | 9.5 | – |
| 64.3 | M5 | 13 | 15 | 28.5 | 9.5 | 7.3 |
| 76.9 | M6 | 13 | 15 | 31.7 | 12.0 | 9.7 |
| 91.0 | M6 | 13 | 15 | 31.7 | 12.0 | 9.7 |

All other dimensions of the capacitor such as diameter d, case length l and overall length l_1 are identical with those of standard capacitors of this series. Please refer to the tables “Dimensions and weights” (standard types) and “Dimensions and weights for heat sink mounting” (special designs).

- For heat sink mounting

Design for optimal connection of capacitors to the heat sink when using base cooling with the following features (refer to chapter “General technical information, 5.2 Cooling”):

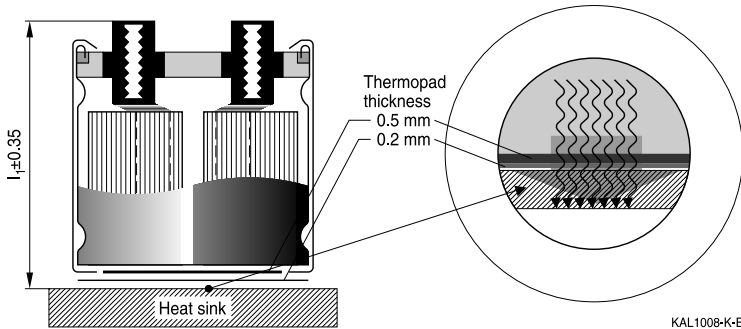
- Electrical insulation of the capacitors base with 2 overlapping thermal pads for optimal heat flow (minimal thermal resistance at the capacitor base)



- Minimal overall length tolerance (± 0.35 mm) for mounting between heat sink and bus bar
- Case with extra groove near the base for clamp mounting (recommended ring clamp B44030A0165B ... A0190B)

This version is available only for capacitors without threaded stud and for diameters ≥ 64.3 mm.

Regarding ripple current and useful life, please refer to column $I_{AC,R}(B)$ in the table "Technical data and ordering codes" and in the useful life curves.



Dimensions and weights for heat sink mounting:

| Terminal | Dimensions (mm) with insulating sleeve | | | | | Min. reach of screw mm | Approx. weight g |
|----------|--|-----------|----------------|------------|----------------|------------------------|------------------|
| | d | $l \pm 1$ | $l_1 \pm 0.35$ | d_2 max. | $a + 0.2/-0.4$ | | |
| M5 | 64.3 +0/-0.8 | 80.7 | 86.3 | 13.2 | 28.5 | 7.3 | 370 |
| M5 | 64.3 +0/-0.8 | 105.7 | 111.3 | 13.2 | 28.5 | 7.3 | 440 |
| M6 | 76.9 +0/-0.7 | 105.7 | 110.6 | 17.7 | 31.7 | 9.7 | 620 |
| M6 | 76.9 +0/-0.7 | 143.2 | 148.1 | 17.7 | 31.7 | 9.7 | 840 |
| M6 | 91.0 +0/-2 | 97.0 | 101.4 | 17.7 | 31.7 | 9.7 | 1000 |
| M6 | 91.0 +0/-2 | 144.5 | 148.9 | 17.7 | 31.7 | 9.7 | 1200 |

Dimensions for other sizes are available upon request.

Ordering codes:

| Design | Identification in third block of ordering code | Remark |
|--|--|---|
| Low inductance (13 nH) | M003 | For capacitors with diameter $d \geq 64.3$ mm |
| For heat sink mounting | M007 | For capacitors with diameter $d \geq 64.3$ mm and without threaded stud |
| PAPR terminal style | M050 | For capacitors with diameter $d \geq 51.6$ mm |
| PAPR terminal style and heat sink mounting | M057 | For capacitors with diameter $d \geq 64.3$ mm and without threaded stud |


B43740, B43760
Extra long useful life – 105 °C

Accessories

The following items are included in the delivery package, but are not fastened to the capacitors:

| | Thread | Toothed washers | Screws/nuts | Maximum torque |
|---------------|--------|-----------------|--|----------------|
| For terminals | M5 | A 5.1 DIN 6797 | Cylinder-head screw M5 × 8 DIN 84-4.8 | 2 Nm |
| | M6 | A 6.4 DIN 6797 | Cylinder-head screw M6 × 12 DIN 85-4.8 | 2.5 Nm |
| For mounting | M12 | J 12.5 DIN 6797 | Hex nut BM 12 DIN 439 | 10 Nm |

The following items must be ordered separately. For details, refer to chapter "Capacitors with screw terminals – Accessories".

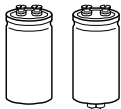
| Item | Type |
|---|--------|
| Ring clips | B44030 |
| Clamps for capacitors with $d \geq 64.3$ mm | B44030 |
| Insulating parts | B44020 |


Overview of available types

| V_R (V DC) | 350 | 400 | 450 |
|-------------------------|-----------------------------------|------------------------------|------------------------------|
| | Case dimensions $d \times l$ (mm) | | |
| C_R (μF) | | | |
| 1000 | 51.6 × 80.7 | 51.6 × 80.7 | 51.6 × 105.7 |
| 1500 | 51.6 × 80.7 | 51.6 × 105.7 | 51.6 × 118.2 |
| 2200 | 51.6 × 105.7 | 51.6 × 130.7 64.3 × 105.7 | 64.3 × 118.2 |
| 2700 | 64.3 × 80.7 | 64.3 × 105.7 | 64.3 × 130.7 |
| 3300 | 64.3 × 105.7 | 64.3 × 130.7 76.9 × 105.7 | 64.3 × 143.2 76.9 × 130.7 |
| 3900 | 64.3 × 118.2 | 76.9 × 118.2 | 76.9 × 143.2 |
| 4700 | 64.3 × 143.2 76.9 × 105.7 | 76.9 × 130.7 | 76.9 × 168.7 |
| 5600 | 76.9 × 130.7 | 76.9 × 143.2 | 76.9 × 190.7 91.0 × 144.5 |
| 6800 | 76.9 × 143.2 | 76.9 × 168.7 91.0 × 144.5 | 76.9 × 220.7 91.0 × 170.0 |
| 8200 | 76.9 × 168.7 91.0 × 144.5 | 76.9 × 190.7 91.0 × 144.5 | 91.0 × 191.0 |
| 10000 | 76.9 × 190.7 91.0 × 144.5 | 76.9 × 220.7 91.0 × 191.0 | 91.0 × 221.0 |
| 12000 | 76.9 × 220.7 91.0 × 170.0 | 91.0 × 221.0 | |
| 15000 | 91.0 × 191.0 | | |
| 18000 | 91.0 × 221.0 | | |

The capacitance and voltage ratings listed above are available in different cases upon request.

Other voltage and capacitance ratings are also available upon request.



B43740, B43760

Extra long useful life – 105 °C

Technical data and ordering codes

| C_R | Case dimensions | ESR_{typ} 100 Hz 20 °C μF | ESR_{max} 100 Hz 20 °C $m\Omega$ | Z_{max} 10 kHz 20 °C $m\Omega$ | $I_{AC,max}$ 100 Hz 40 °C A | $I_{AC,R}$ 100 Hz 105 °C A | $I_{AC,R(B)}$ 100 Hz 105 °C A | Ordering code (composition see below) |
|------------------|-----------------|---|---|---|--------------------------------------|-------------------------------------|--|--|
| $V_R = 350$ V DC | | | | | | | | |
| 1000 | 51.6 × 80.7 | 100 | 150 | 120 | 13 | 4.2 | 7.9 | B437*0A4108M0## |
| 1500 | 51.6 × 80.7 | 70 | 105 | 84 | 16 | 5.2 | 10.6 | B437*0A4158M0## |
| 2200 | 51.6 × 105.7 | 47 | 71 | 56 | 21 | 7.0 | 12.8 | B437*0A4228M0## |
| 2700 | 64.3 × 80.7 | 39 | 59 | 47 | 24 | 7.9 | 16.2 | B437*0A4278M0## |
| 3300 | 64.3 × 105.7 | 33 | 50 | 40 | 28 | 9.1 | 16.5 | B437*0A4338M0## |
| 3900 | 64.3 × 118.2 | 29 | 44 | 35 | 31 | 10.1 | 17.7 | B437*0A4398M0## |
| 4700 | 64.3 × 143.2 | 25 | 38 | 30 | 35 | 11.5 | 18.6 | B437*0A4478M0## |
| 4700 | 76.9 × 105.7 | 25 | 38 | 30 | 35 | 11.5 | 22.6 | B437*0B4478M0## |
| 5600 | 76.9 × 130.7 | 20 | 30 | 24 | 41 | 13.4 | 23.8 | B437*0A4568M0## |
| 6800 | 76.9 × 143.2 | 17 | 26 | 20 | 47 | 15.2 | 26.3 | B437*0A4688M0## |
| 8200 | 76.9 × 168.7 | 13 | 20 | 16 | 56 | 18.4 | 30.1 | B437*0A4828M0## |
| 8200 | 91.0 × 144.5 | 12 | 18 | 14 | 60 | 19.5 | 34.5 | B437*0B4828M0## |
| 10000 | 76.9 × 190.7 | 11 | 17 | 13 | 57 | 21.2 | 33.5 | B437*0A4109M0## |
| 10000 | 91.0 × 144.5 | 11 | 17 | 13 | 65 | 21.0 | 38.4 | B437*0B4109M0## |
| 12000 | 76.9 × 220.7 | 9 | 14 | 11 | 57 | 24.9 | 36.8 | B437*0A4129M0## |
| 12000 | 91.0 × 170.0 | 8 | 12 | 10 | 79 | 25.8 | 44.9 | B437*0B4129M0## |
| 15000 | 91.0 × 191.0 | 8 | 12 | 10 | 80 | 27.3 | 44.9 | B437*0A4159M0## |
| 18000 | 91.0 × 221.0 | 7 | 11 | 8 | 80 | 30.8 | 49.3 | B437*0A4189M0## |

Composition of ordering code

* = Mounting style

- 4 = for capacitors with ring clip/clamp mounting
- 6 = for capacitors with threaded stud

= Design

- 00 = for capacitors with standard inductance
- 03 = for capacitors with low inductance (13 nH)
(only capacitors with diameter $d \geq 64.3$ mm)
- 07 = for heat sink mounting (only capacitors with diameter $d \geq 64.3$ mm and without threaded stud)
- 50 = for terminals with PAPR style (not for low-inductance)
- 57 = for terminals with PAPR style and heat sink mounting (only $d \geq 64.3$ mm and only without threaded stud; not for low inductance)


Technical data and ordering codes

| C_R 100 Hz 20 °C μF | Case dimensions d × l mm | ESR _{typ} 100 Hz 20 °C mΩ | ESR _{max} 100 Hz 20 °C mΩ | Z _{max} 10 kHz 20 °C mΩ | I _{AC,max} 100 Hz 40 °C A | I _{AC,R} 100 Hz 105 °C A | I _{AC,R(B)} 100 Hz 105 °C A | Ordering code (composition see below) |
|---------------------------------|-----------------------------------|---|---|---|---|--|---|---|
| V_R = 400 V DC | | | | | | | | |
| 1000 | 51.6 × 80.7 | 100 | 150 | 120 | 13 | 4.3 | 8.5 | B437*0A9108M0## |
| 1500 | 51.6 × 105.7 | 65 | 98 | 78 | 18 | 5.8 | 10.5 | B437*0A9158M0## |
| 2200 | 51.6 × 130.7 | 39 | 59 | 47 | 26 | 8.3 | 13.9 | B437*0B9228M0## |
| 2200 | 64.3 × 105.7 | 45 | 68 | 54 | 23 | 7.6 | 13.5 | B437*0A9228M0## |
| 2700 | 64.3 × 105.7 | 35 | 53 | 42 | 28 | 9.0 | 16.5 | B437*0A9278M0## |
| 3300 | 64.3 × 130.7 | 29 | 44 | 35 | 32 | 10.4 | 17.5 | B437*0A9338M0## |
| 3300 | 76.9 × 105.7 | 29 | 44 | 35 | 32 | 10.6 | 20.5 | B437*0B9338M0## |
| 3900 | 76.9 × 118.2 | 24 | 36 | 29 | 37 | 12.0 | 22.2 | B437*0A9398M0## |
| 4700 | 76.9 × 130.7 | 20 | 30 | 24 | 42 | 13.7 | 24.6 | B437*0A9478M0## |
| 5600 | 76.9 × 143.2 | 17 | 26 | 20 | 48 | 15.6 | 27.1 | B437*0A9568M0## |
| 6800 | 76.9 × 168.7 | 15 | 23 | 18 | 54 | 17.5 | 28.9 | B437*0A9688M0## |
| 6800 | 91.0 × 144.5 | 14 | 21 | 17 | 56 | 18.3 | 32.8 | B437*0B9688M0## |
| 8200 | 76.9 × 190.7 | 13 | 20 | 16 | 57 | 20.0 | 31.6 | B437*0A9828M0## |
| 8200 | 91.0 × 144.5 | 12 | 18 | 14 | 63 | 20.6 | 37.8 | B437*0B9828M0## |
| 10000 | 76.9 × 220.7 | 10 | 15 | 12 | 57 | 24.4 | 37.8 | B437*0A9109M0## |
| 10000 | 91.0 × 191.0 | 9 | 14 | 11 | 77 | 25.0 | 41.4 | B437*0B9109M0## |
| 12000 | 91.0 × 221.0 | 7 | 11 | 8 | 80 | 29.9 | 47.2 | B437*0A9129M0## |

Composition of ordering code

* = Mounting style

- 4 = for capacitors with ring clip/clamp mounting
- 6 = for capacitors with threaded stud

= Design

- 00 = for capacitors with standard inductance
- 03 = for capacitors with low inductance (13 nH)
(only capacitors with diameter d ≥ 64.3 mm)
- 07 = for heat sink mounting (only capacitors with diameter d ≥ 64.3 mm and without threaded stud)
- 50 = for terminals with PAPR style (not for low-inductance)
- 57 = for terminals with PAPR style and heat sink mounting (only d ≥ 64.3 mm and only without threaded stud; not for low inductance)



B43740, B43760

Extra long useful life – 105 °C

Technical data and ordering codes

| C_R | Case dimensions | ESR_{typ} 100 Hz 20 °C | ESR_{max} 100 Hz 20 °C | Z_{max} 10 kHz 20 °C | $I_{AC,max}$ 100 Hz 40 °C | $I_{AC,R}$ 100 Hz 105 °C | $I_{AC,R(B)}$ 100 Hz 105 °C | Ordering code (composition see below) |
|------------------------------------|-----------------|--------------------------------|--------------------------------|------------------------------|---------------------------------|--------------------------------|-----------------------------------|--|
| μF | d × l mm | mΩ | mΩ | mΩ | A | A | A | |
| $V_R = 450 V DC$ | | | | | | | | |
| 1000 | 51.6 × 105.7 | 95 | 143 | 114 | 14 | 4.7 | 8.2 | B437*0A5108M0## |
| 1500 | 51.6 × 118.2 | 63 | 95 | 76 | 19 | 6.2 | 10.7 | B437*0A5158M0## |
| 2200 | 64.3 × 118.2 | 43 | 65 | 52 | 25 | 8.1 | 13.9 | B437*0A5228M0## |
| 2700 | 64.3 × 130.7 | 33 | 50 | 40 | 30 | 9.8 | 16.2 | B437*0A5278M0## |
| 3300 | 64.3 × 143.2 | 27 | 41 | 32 | 35 | 11.4 | 18.4 | B437*0B5338M0## |
| 3300 | 76.9 × 130.7 | 27 | 41 | 32 | 35 | 11.4 | 19.9 | B437*0A5338M0## |
| 3900 | 76.9 × 143.2 | 23 | 35 | 28 | 40 | 12.9 | 21.8 | B437*0A5398M0## |
| 4700 | 76.9 × 168.7 | 20 | 30 | 24 | 45 | 14.7 | 23.5 | B437*0A5478M0## |
| 5600 | 76.9 × 190.7 | 17 | 26 | 20 | 52 | 16.8 | 25.8 | B437*0A5568M0## |
| 5600 | 91.0 × 144.5 | 16 | 24 | 19 | 53 | 17.3 | 30.6 | B437*0B5568M0## |
| 6800 | 76.9 × 220.7 | 14 | 21 | 17 | 57 | 19.7 | 30.6 | B437*0A5688M0## |
| 6800 | 91.0 × 170.0 | 13 | 20 | 16 | 62 | 20.1 | 39.1 | B437*0B5688M0## |
| 8200 | 91.0 × 191.0 | 10 | 15 | 12 | 74 | 24.1 | 39.1 | B437*0A5828M0## |
| 10000 | 91.0 × 221.0 | 8 | 12 | 10 | 80 | 28.6 | 44.2 | B437*0A5109M0## |

Composition of ordering code

* = Mounting style

- 4 = for capacitors with ring clip/clamp mounting
- 6 = for capacitors with threaded stud

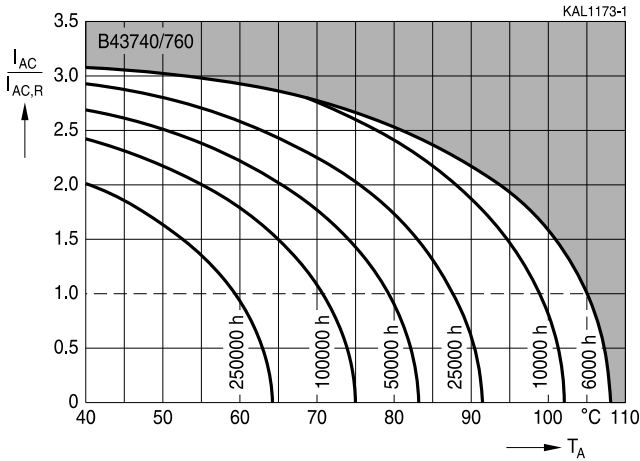
= Design

- 00 = for capacitors with standard inductance
- 03 = for capacitors with low inductance (13 nH)
(only capacitors with diameter d ≥ 64.3 mm)
- 07 = for heat sink mounting (only capacitors with diameter d ≥ 64.3 mm and without threaded stud)
- 50 = for terminals with PAPR style (not for low-inductance)
- 57 = for terminals with PAPR style and heat sink mounting (only d ≥ 64.3 mm and only without threaded stud; not for low inductance)

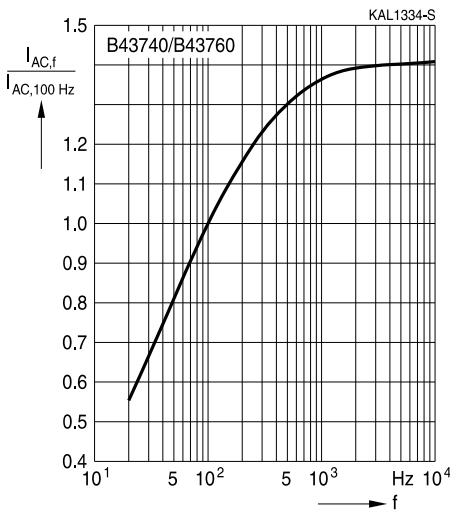


Useful life

depending on ambient temperature T_A (for natural cooling) and versus temperature of case base T_B (for base cooling) under ripple current operating conditions^{1) 2)}



Frequency factor of permissible ripple current I_{AC} versus frequency f



- 1) The ripple current refers to $I_{AC,R}$ for natural cooling or $I_{AC,R}(B)$ for base cooling, respectively.
- 2) Refer to chapter "General technical information, 5.3 Calculation of useful life" on how to interpret the useful life graphs.

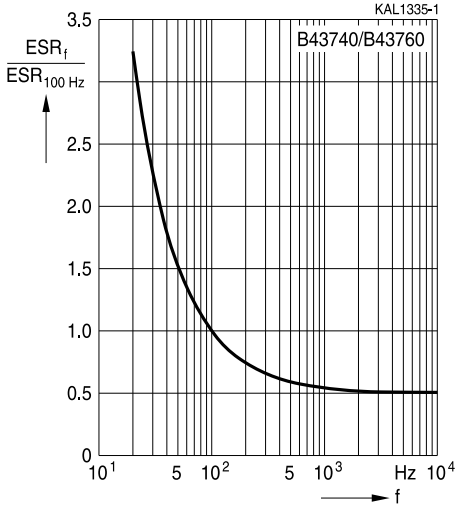


B43740, B43760

Extra long useful life – 105 °C

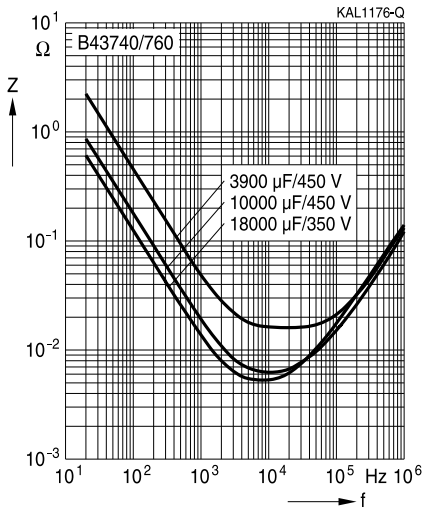
Frequency characteristics of ESR

Typical behavior



Impedance Z versus frequency f

Typical behavior at 20 °C





Cautions and warnings

Personal safety

The electrolytes used by EPCOS have not only been optimized with a view to the intended application, but also with regard to health and environmental compatibility. They do not contain any solvents that are detrimental to health, e.g. dimethyl formamide (DMF) or dimethyl acetamide (DMAC).

Furthermore, part of the high-voltage electrolytes used by EPCOS are self-extinguishing. They contain flame-retarding substances which will quickly extinguish any flame that may have been ignited.

As far as possible, EPCOS does not use any dangerous chemicals or compounds to produce operating electrolytes. However, in exceptional cases, such materials must be used in order to achieve specific physical and electrical properties because no safe substitute materials are currently known. However, the amount of dangerous materials used in our products has been limited to an absolute minimum. Nevertheless, the following rules should be observed when handling aluminum electrolytic capacitors:

- Any escaping electrolyte should not come into contact with eyes or skin.
- If electrolyte does come into contact with the skin, wash the affected parts immediately with running water. If the eyes are affected, rinse them for 10 minutes with plenty of water. If symptoms persist, seek medical treatment.
- Avoid breathing in electrolyte vapor or mists. Workplaces and other affected areas should be well ventilated. Clothing that has been contaminated by electrolyte must be changed and rinsed in water.


B43740, B43760
Extra long useful life – 105 °C

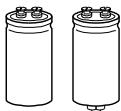
Product safety

The table below summarizes the safety instructions that must be observed without fail. A detailed description can be found in the relevant sections of chapter "General technical information".

| Topic | Safety information | Reference chapter "General technical information" |
|--|---|--|
| Polarity | Make sure that polar capacitors are connected with the right polarity. | 1 "Basic construction of aluminum electrolytic capacitors" |
| Reverse voltage | Voltages polarity classes should be prevented by connecting a diode. | 3.1.6 "Reverse voltage" |
| Upper category temperature | Do not exceed the upper category temperature. | 7.2 "Maximum permissible operating temperature" |
| Maintenance | Make periodic inspections of the capacitors. Before the inspection, make sure that the power supply is turned off and carefully discharge the electricity of the capacitors. Do not apply any mechanical stress to the capacitor terminals. | 10 "Maintenance" |
| Mounting position of screw-terminal capacitors | Do not mount the capacitor with the terminals (safety vent) upside down. | 11.1. "Mounting positions of capacitors with screw terminals" |
| Mounting of single-ended capacitors | The internal structure of single-ended capacitors might be damaged if excessive force is applied to the lead wires. Avoid any compressive, tensile or flexural stress. Do not move the capacitor after soldering to PC board. Do not pick up the PC board by the soldered capacitor. Do not insert the capacitor on the PC board with a hole space different to the lead space specified. | 11.4 "Mounting considerations for single-ended capacitors" |
| Robustness of terminals | The following maximum tightening torques must not be exceeded when connecting screw terminals: M5: 2 Nm M6: 2.5 Nm | 11.3 "Mounting torques" |
| Soldering | Do not exceed the specified time or temperature limits during soldering. | 11.5 "Soldering" |



| Topic | Safety information | Reference chapter "General technical information" |
|--|---|---|
| Soldering, cleaning agents | Do not allow halogenated hydrocarbons to come into contact with aluminum electrolytic capacitors. | 11.6 "Cleaning agents" |
| Passive flammability | Avoid external energy, such as fire or electricity. | 8.1 "Passive flammability" |
| Active flammability | Avoid overload of the capacitors. | 8.2 "Active flammability" |
| | | Reference chapter "Capacitors with screw terminals" |
| Breakdown strength of insulating sleeves | Do not damage the insulating sleeve, especially when ring clips are used for mounting. | "Screw terminals – accessories" |


B43740, B43760
Extra long useful life – 105 °C
Symbols and terms

| Symbol | English | German |
|----------------|---|---|
| C | Capacitance | Kapazität |
| C_R | Rated capacitance | Nennkapazität |
| C_S | Series capacitance | Serienkapazität |
| $C_{S,T}$ | Series capacitance at temperature T | Serienkapazität bei Temperatur T |
| C_f | Capacitance at frequency f | Kapazität bei Frequenz f |
| d | Case diameter, nominal dimension | Gehäusedurchmesser, Nennmaß |
| d_{max} | Maximum case diameter | Maximaler Gehäusedurchmesser |
| ESL | Self-inductance | Eigeninduktivität |
| ESR | Equivalent series resistance | Ersatzserienwiderstand |
| ESR_f | Equivalent series resistance at frequency f | Ersatzserienwiderstand bei Frequenz f |
| ESR_T | Equivalent series resistance at temperature T | Ersatzserienwiderstand bei Temperatur T |
| f | Frequency | Frequenz |
| I | Current | Strom |
| I_{AC} | Alternating current (ripple current) | Wechselstrom |
| $I_{AC,rms}$ | Root-mean-square value of alternating current | Wechselstrom, Effektivwert |
| $I_{AC,f}$ | Ripple current at frequency f | Wechselstrom bei Frequenz f |
| $I_{AC,max}$ | Maximum permissible ripple current | Maximal zulässiger Wechselstrom |
| $I_{AC,R}$ | Rated ripple current | Nennwechselstrom |
| $I_{AC,R} (B)$ | Rated ripple current for base cooling | Nennwechselstromstrom für Bodenkühlung |
| I_{leak} | Leakage current | Reststrom |
| $I_{leak,op}$ | Operating leakage current | Betriebsreststrom |
| l | Case length, nominal dimension | Gehäuselänge, Nennmaß |
| l_{max} | Maximum case length (without terminals and mounting stud) | Maximale Gehäuselänge (ohne Anschlüsse und Gewindebolzen) |
| R | Resistance | Widerstand |
| R_{ins} | Insulation resistance | Isolationswiderstand |
| R_{symm} | Balancing resistance | Symmetrierwiderstand |
| T | Temperature | Temperatur |
| ΔT | Temperature difference | Temperaturdifferenz |
| T_A | Ambient temperature | Umgebungstemperatur |
| T_C | Case temperature | Gehäusetemperatur |
| T_B | Capacitor base temperature | Temperatur des Becherbodens |
| t | Time | Zeit |
| Δt | Period | Zeitraum |
| t_b | Service life (operating hours) | Brauchbarkeitsdauer (Betriebszeit) |



| Symbol | English | German |
|-----------------|-----------------------------|-----------------------------------|
| V | Voltage | Spannung |
| V _F | Forming voltage | Formierspannung |
| V _{op} | Operating voltage | Betriebsspannung |
| V _R | Rated voltage, DC voltage | Nennspannung, Gleichspannung |
| V _S | Surge voltage | Spitzenspannung |
| X _C | Capacitive reactance | Kapazitiver Blindwiderstand |
| X _L | Inductive reactance | Induktiver Blindwiderstand |
| Z | Impedance | Scheinwiderstand |
| Z _T | Impedance at temperature T | Scheinwiderstand bei Temperatur T |
| tan δ | Dissipation factor | Verlustfaktor |
| λ | Failure rate | Ausfallrate |
| ε ₀ | Absolute permittivity | Elektrische Feldkonstante |
| ε _r | Relative permittivity | Dielektrizitätszahl |
| ω | Angular velocity; 2 · π · f | Kreisfrequenz; 2 · π · f |

Note

All dimensions are given in mm.

Important notes

The following applies to all products named in this publication:

1. Some parts of this publication contain **statements about the suitability of our products for certain areas of application**. These statements are based on our knowledge of typical requirements that are often placed on our products in the areas of application concerned. We nevertheless expressly point out **that such statements cannot be regarded as binding statements about the suitability of our products for a particular customer application**. As a rule, EPCOS is either unfamiliar with individual customer applications or less familiar with them than the customers themselves. For these reasons, it is always ultimately incumbent on the customer to check and decide whether an EPCOS product with the properties described in the product specification is suitable for use in a particular customer application.
2. We also point out that **in individual cases, a malfunction of electronic components or failure before the end of their usual service life cannot be completely ruled out in the current state of the art, even if they are operated as specified**. In customer applications requiring a very high level of operational safety and especially in customer applications in which the malfunction or failure of an electronic component could endanger human life or health (e.g. in accident prevention or lifesaving systems), it must therefore be ensured by means of suitable design of the customer application or other action taken by the customer (e.g. installation of protective circuitry or redundancy) that no injury or damage is sustained by third parties in the event of malfunction or failure of an electronic component.
3. **The warnings, cautions and product-specific notes must be observed.**
4. In order to satisfy certain technical requirements, **some of the products described in this publication may contain substances subject to restrictions in certain jurisdictions (e.g. because they are classed as hazardous)**. Useful information on this will be found in our Material Data Sheets on the Internet (www.epcos.com/material). Should you have any more detailed questions, please contact our sales offices.
5. We constantly strive to improve our products. Consequently, **the products described in this publication may change from time to time**. The same is true of the corresponding product specifications. Please check therefore to what extent product descriptions and specifications contained in this publication are still applicable before or when you place an order. We also **reserve the right to discontinue production and delivery of products**. Consequently, we cannot guarantee that all products named in this publication will always be available. The aforementioned does not apply in the case of individual agreements deviating from the foregoing for customer-specific products.
6. Unless otherwise agreed in individual contracts, **all orders are subject to the current version of the "General Terms of Delivery for Products and Services in the Electrical Industry" published by the German Electrical and Electronics Industry Association (ZVEI)**.
7. The trade names EPCOS, BAOKE, Alu-X, CeraDiode, CSMP, CSSP, CTVS, DeltaCap, DigiSiMic, DSSP, FormFit, MiniBlue, MiniCell, MKK, MKD, MLSC, MotorCap, PCC, PhaseCap, PhaseCube, PhaseMod, PhiCap, SIFERRIT, SIFI, SIKOREL, SilverCap, SIMDAD, SiMic, SIMID, SineFormer, SIOV, SIP5D, SIP5K, ThermoFuse, WindCap are **trade-marks registered or pending** in Europe and in other countries. Further information will be found on the Internet at www.epcos.com/trademarks.