

Aluminum electrolytic capacitors

Capacitors with multi-pin terminals

Series/Type: **B43611**

Date: **March 2023**

Long-life grade capacitors

Applications

- Frequency converters
- Solar inverters
- Uninterruptible power supplies
- Professional power supplies
- Medical appliances
- Not for automotive applications unless otherwise specified



Features

- High volumetric efficiency
- Pinning ensures correct insertion
- Diffusion vent
- RoHS-compatible

Construction

- Charge/discharge-proof, polar
- Aluminum case, covered with PET sleeve without insulation sheet at the can bottom
- Version with additional PET insulation cap on terminal side and PVC sleeve available for insulating the capacitor from the PCB
- Version with PVC sleeve available upon request
- Minus pole not insulated from case
- Overload protection by pressure relief vent on the base

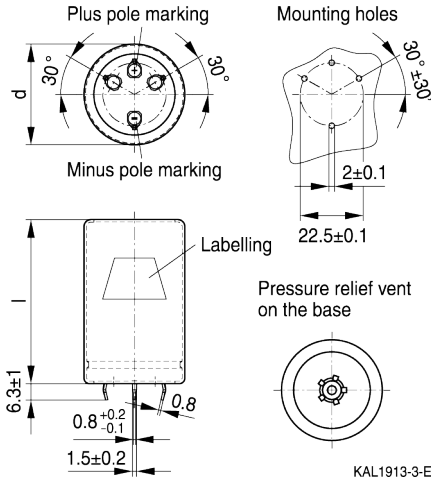
Terminals

- 4-pin snap-in terminals (6.3 mm and 4.5 mm length) for diameter 35 to 45 mm
- 5-pin snap-in terminals (6.3 mm and 4.5 mm length) for diameter 50 mm

Specifications and characteristics in brief

Rated voltage V_R Surge voltage V_S	550 ... 600 V DC $1.10 \cdot V_R$							
Rated capacitance C_R Capacitance tolerance	270 ... 1800 μ F $\pm 20\% \triangleq M$							
Dissipation factor $\tan \delta$ (20 °C, 120 Hz)	≤ 0.20							
Leakage current I_{leak} (5 min, 20 °C)	$I_{leak} \leq 0.3 \mu A \cdot \left(\frac{C_R}{\mu F} \cdot \frac{V_R}{V} \right)^{0.7} + 4 \mu A$							
Self-inductance ESL	Approx. 20 nH							
Useful life ¹⁾ 85 °C; V_R ; $I_{AC,R}$	> 5000 h	Requirements: $ \Delta C/C \leq 20\%$ of initial value $\tan \delta \leq 2$ times initial specified limit $I_{leak} \leq$ initial specified limit						
Voltage endurance test 85 °C; V_R	2000 h	Post test requirements: $ \Delta C/C \leq 10\%$ of initial value $\tan \delta \leq 1.3$ times initial specified limit $I_{leak} \leq$ initial specified limit						
Vibration resistance test	To IEC 60068-2-6:2007, test Fc: Frequency range 10 ... 55 Hz, displacement amplitude 0.35 mm, acceleration max. 5 g, duration 3 x 2 h. Capacitor mounted by its body which is rigidly clamped to the work surface.							
Characteristics at low temperature	Max. impedance ratio at 100 Hz	<table border="1"> <tr> <td>V_R</td> <td>$\geq 550 V$</td> </tr> <tr> <td>$Z_{-25\text{ °C}} / Z_{20\text{ °C}}$</td> <td>7</td> </tr> <tr> <td>$Z_{-40\text{ °C}} / Z_{20\text{ °C}}$</td> <td>20</td> </tr> </table>	V_R	$\geq 550 V$	$Z_{-25\text{ °C}} / Z_{20\text{ °C}}$	7	$Z_{-40\text{ °C}} / Z_{20\text{ °C}}$	20
V_R	$\geq 550 V$							
$Z_{-25\text{ °C}} / Z_{20\text{ °C}}$	7							
$Z_{-40\text{ °C}} / Z_{20\text{ °C}}$	20							
IEC climatic category	To IEC 60068-1:2013 25/085/56 (-25 °C/+85 °C/56 days damp heat test) The capacitors can be operated in the temperature range of -40 °C to +85 °C but the impedance at -40 °C must be taken into consideration.							
Sectional specification	IEC 60384-4:2016							

1) Refer to chapter "General technical information, 5 Useful life" on how to interpret useful life.

Dimensional drawings
B43611, 4-pin snap-in terminals with PET sleeve


Standard snap-in terminals:

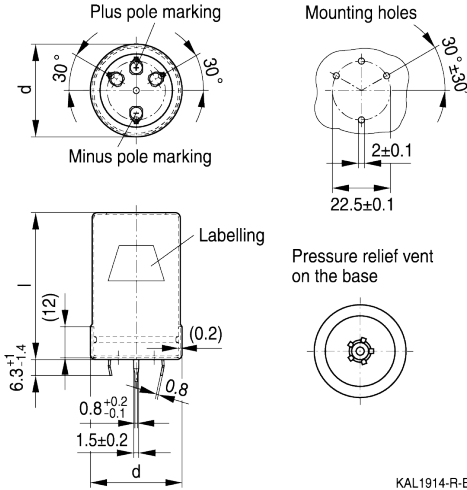
length (6.3 ± 1) mm.

Also available in a shorter version with a length of (4.5 - 1) mm.

All pin holes must be drilled into the PC-board, since the unconnected pins serve as mountings. These pins must be soldered to insulated pads or pads with the same potential as the negative pole.

Dimensions (mm)		Approx. weight (g)	Packing units (pcs.)
d + 1	l ± 2		
35	55	90	36
35	60	98	36
35	65	106	36
35	70	114	36
35	75	122	36
35	80	130	36
35	85	138	36
35	90	146	36
35	95	154	36
35	100	162	36
40	40	86	33
40	45	96	33
40	50	107	33
40	55	117	33
40	60	128	33
40	65	138	33
40	70	149	33
40	75	159	33
40	80	169	33
40	85	180	33

Dimensions (mm)		Approx. weight (g)	Packing units (pcs.)
d + 1	l ± 2		
40	90	190	33
40	95	201	33
40	100	211	33
40	105	222	33
45	35	95	28
45	40	108	28
45	45	121	28
45	50	135	28
45	55	148	28
45	60	161	28
45	65	174	28
45	70	187	28
45	75	201	28
45	80	214	28
45	85	227	28
45	90	240	28
45	95	253	28
45	100	267	28
45	105	280	28

B43611, 4-pin snap-in terminals, PVC sleeve and PET insulation cap on terminal side


Standard snap-in terminals:
length (6.3 ± 1.4) mm.

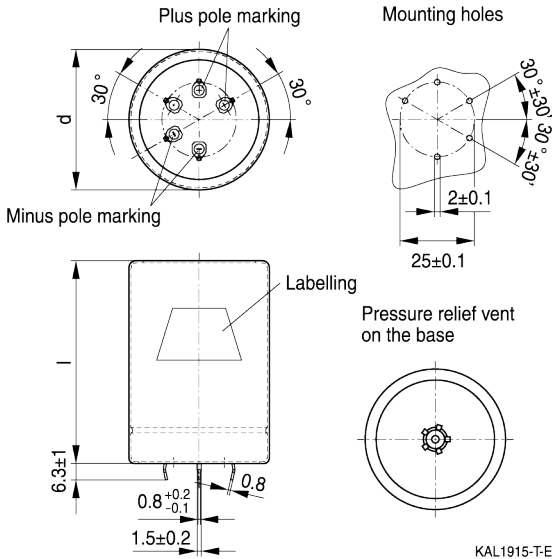
Also available in a shorter version with a length of ($4.5 - 1.4$) mm.

PET insulation cap is positioned under the PVC sleeve.

All pin holes must be drilled into the PC-board, since the unconnected pins serve as mountings. These pins must be soldered to insulated pads or pads with the same potential as the negative pole.

Dimensions (mm)		Approx. weight (g)	Packing units (pcs.)
d +1.4	l +2.2/-2		
35	55	90	36
35	60	98	36
35	65	106	36
35	70	114	36
35	75	122	36
35	80	130	36
35	85	138	36
35	90	146	36
35	95	154	36
35	100	162	36
40	40	86	33
40	45	96	33
40	50	107	33
40	55	117	33
40	60	128	33
40	65	138	33
40	70	149	33
40	75	159	33
40	80	169	33
40	85	180	33

Dimensions (mm)		Approx. weight (g)	Packing units (pcs.)
d +1.4	l +2.2/-2		
40	90	190	33
40	95	201	33
40	100	211	33
40	105	222	33
45	35	95	28
45	40	108	28
45	45	121	28
45	50	135	28
45	55	148	28
45	60	161	28
45	65	174	28
45	70	187	28
45	75	201	28
45	80	214	28
45	85	227	28
45	90	240	28
45	95	253	28
45	100	267	28
45	105	280	28

B43611, 5-pin snap-in terminals with PET sleeve


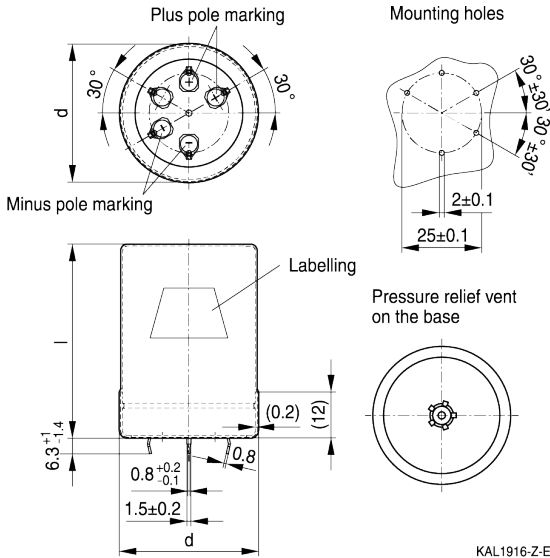
Standard snap-in terminals: length (6.3 ± 1) mm.

Also available in a shorter version with a length of $(4.5 - 1)$ mm.

All pin holes must be drilled into the PC-board, since the unconnected pin serves as mounting. This pin must be soldered to an insulated pad or a pad with the same potential as the negative pole.

Dimensions (mm)		Approx. weight (g)	Packing units (pcs.)
d +1	l ±2		
50	40	133	28
50	45	149	28
50	50	166	28
50	55	182	28
50	60	198	28
50	65	214	28
50	70	231	28
50	75	247	28
50	80	263	28

Dimensions (mm)		Approx. weight (g)	Packing units (pcs.)
d +1	l ±2		
50	85	280	28
50	90	296	28
50	95	312	28
50	100	328	28
50	105	345	28

B43611, 5-pin snap-in terminals, PVC sleeve and PET insulation cap on terminal side


Standard snap-in terminals: length (6.3 ± 1.4) mm.

Also available in a shorter version with a length of $(4.5 - 1.4)$ mm.

PET insulation cap is positioned under the PVC sleeve.

All pin holes must be drilled into the PC-board, since the unconnected pin serves as mounting.

This pin must be soldered to an insulated pad or a pad with the same potential as the negative pole.

Dimensions (mm)		Approx. weight (g)	Packing units (pcs.)
d +1.4	l +2.2/-2		
50	40	133	28
50	45	149	28
50	50	166	28
50	55	182	28
50	60	198	28
50	65	214	28
50	70	231	28
50	75	247	28
50	80	263	28

Dimensions (mm)		Approx. weight (g)	Packing units (pcs.)
d +1.4	l +2.2/-2		
50	85	280	28
50	90	296	28
50	95	312	28
50	100	328	28
50	105	345	28

Packaging of 4-/5-pin snap-in terminal capacitors


For ecological reasons the packing is pure cardboard.

Ordering codes for terminal styles and insulation features

Identification in 3rd block of ordering code

4-/5-pin snap-in terminal capacitors

Terminal version	Insulation version	
	PET sleeve	PVC sleeve plus PET cap
Standard terminals 6.3 mm	M050	M070
Short terminals 4.5 mm	M057	M077

Ordering examples:

- B43611A7128M057 } 4-pin snap-in capacitor with short terminals and PET sleeve
- B43611C7128M070 } 5-pin snap-in capacitor with standard terminals and PVC sleeve with additional PET insulation cap on terminal side

Overview of available types

The capacitance and voltage ratings listed below are available in different case sizes upon request. Other voltage and capacitance ratings are also available upon request.

Capacitors with 50 mm case diameter are only available with 5-pin snap-in terminals.

V_R (V DC)	550	600
	Case dimensions d x l (mm)	
C_R (μ F)		
270		40 x 40
330	40 x 40	35 x 55 40 x 45 45 x 40
390	40 x 45 45 x 35	35 x 60 40 x 50 45 x 45 50 x 40
470	35 x 60 40 x 50 45 x 40 50 x 40	35 x 75 40 x 60 45 x 50 50 x 45
560	35 x 70 40 x 55 45 x 45 50 x 45	35 x 85 40 x 65 45 x 55 50 x 50
680	35 x 80 40 x 65 45 x 55 50 x 50	35 x 100 40 x 75 45 x 65 50 x 55
820	35 x 95 40 x 75 45 x 60 50 x 55	40 x 90 45 x 75 50 x 65
1000	40 x 85 45 x 70 50 x 65	40 x 105 45 x 85 50 x 75
1200	40 x 100 45 x 80 50 x 70	45 x 100 50 x 85
1500	45 x 95 50 x 85	50 x 105
1800	50 x 100	

Technical data and ordering codes

C_R 100 Hz 20 °C μF	Case dimensions d x l mm	ESR_{typ} 100 Hz 20 °C mΩ	ESR_{typ} 300 Hz 60 °C mΩ	Z_{max} 10 kHz 20 °C mΩ	$I_{AC,max}$ 100 Hz 60 °C A	$I_{AC,R}$ 100 Hz 85 °C A	Ordering code
$V_R = 550$ V DC							
330	40 x 40	440	110	700	3.95	1.56	B43611A7337M0##
390	40 x 45	380	90	590	4.43	1.75	B43611A7397M0##
390	45 x 35	380	100	600	4.36	1.72	B43611B7397M0##
470	35 x 60	310	75	490	5.06	1.99	B43611A7477M0##
470	40 x 50	310	75	490	5.02	1.98	B43611B7477M0##
470	45 x 40	320	80	500	4.97	1.96	B43611C7477M0##
470	50 x 40	320	85	510	5.16	2.03	B43611D7477M0##
560	35 x 70	260	65	410	5.81	2.29	B43611A7567M0##
560	40 x 55	260	65	420	5.66	2.23	B43611B7567M0##
560	45 x 45	260	70	420	5.61	2.21	B43611C7567M0##
560	50 x 45	270	70	420	5.82	2.30	B43611D7567M0##
680	35 x 80	210	50	340	6.76	2.67	B43611A7687M0##
680	40 x 65	220	55	340	6.54	2.58	B43611B7687M0##
680	45 x 55	220	55	350	6.52	2.57	B43611C7687M0##
680	50 x 50	220	60	350	6.59	2.60	B43611D7687M0##
820	35 x 95	180	45	280	7.87	3.11	B43611A7827M0##
820	40 x 75	180	45	290	7.52	2.97	B43611B7827M0##
820	45 x 60	180	45	290	7.37	2.91	B43611C7827M0##
820	50 x 55	180	50	290	7.41	2.92	B43611D7827M0##
1000	40 x 85	150	38	240	8.75	3.45	B43611A7108M0##
1000	45 x 70	150	40	240	8.52	3.36	B43611B7108M0##
1000	50 x 65	150	40	240	8.56	3.38	B43611C7108M0##
1200	40 x 100	120	32	200	10.1	4.00	B43611A7128M0##
1200	45 x 80	120	32	200	9.76	3.85	B43611B7128M0##
1200	50 x 70	130	36	200	9.59	3.78	B43611C7128M0##
1500	45 x 95	100	26	160	11.5	4.58	B43611A7158M0##
1500	50 x 85	100	28	170	11.3	4.47	B43611B7158M0##
1800	50 x 100	85	24	140	13.0	5.14	B43611A7188M0##

Capacitors with 50 mm case diameter are only available with 5-pin snap-in terminals.

Composition of ordering code

= Terminal style and insulation feature

50 = 4-/5-pin snap-in standard terminals and PET sleeve

57 = 4-/5-pin snap-in short terminals and PET sleeve

70 = 4-/5-pin snap-in standard terminals and PVC sleeve with additional PET insulation cap on terminal side

77 = 4-/5-pin snap-in short terminals and PVC sleeve with additional PET insulation cap on terminal side

Capacitors with multi-pin terminals
B43611
High voltage 85 °C

C_R 100 Hz 20 °C μF	Case dimensions $d \times l$ mm	ESR_{typ} 100 Hz 20 °C $\text{m}\Omega$	ESR_{typ} 300 Hz 60 °C $\text{m}\Omega$	Z_{max} 10 kHz 20 °C $\text{m}\Omega$	$I_{\text{AC,max}}$ 100 Hz 60 °C A	$I_{\text{AC,R}}$ 100 Hz 85 °C A	Ordering code
$V_R = 600 \text{ V DC}$							
270	40 x 40	520	130	830	3.69	1.45	B43611A8277M0##
330	35 x 55	420	100	680	4.25	1.68	B43611A8337M0##
330	40 x 45	430	100	680	4.23	1.67	B43611B8337M0##
330	45 x 40	430	110	690	4.32	1.70	B43611C8337M0##
390	35 x 60	360	85	580	4.80	1.89	B43611A8397M0##
390	40 x 50	360	90	580	4.76	1.88	B43611B8397M0##
390	45 x 45	360	90	580	4.84	1.91	B43611C8397M0##
390	50 x 40	370	100	590	4.89	1.93	B43611D8397M0##
470	35 x 75	300	70	480	5.60	2.21	B43611A8477M0##
470	40 x 60	300	75	480	5.47	2.16	B43611B8477M0##
470	45 x 50	300	75	480	5.48	2.16	B43611C8477M0##
470	50 x 45	300	80	490	5.55	2.19	B43611D8477M0##
560	35 x 85	250	60	400	6.43	2.54	B43611A8567M0##
560	40 x 65	250	60	410	6.19	2.44	B43611B8567M0##
560	45 x 55	250	65	410	6.16	2.43	B43611C8567M0##
560	50 x 50	260	65	410	6.23	2.46	B43611D8567M0##
680	35 x 100	210	50	330	7.53	2.98	B43611A8687M0##
680	40 x 75	210	50	330	7.17	2.83	B43611B8687M0##
680	45 x 65	210	55	340	7.10	2.80	B43611C8687M0##
680	50 x 55	210	55	340	7.05	2.78	B43611D8687M0##
820	40 x 90	170	45	280	8.33	3.29	B43611A8827M0##
820	45 x 75	170	45	280	8.15	3.22	B43611B8827M0##
820	50 x 65	180	45	280	8.10	3.20	B43611C8827M0##
1000	40 x 105	140	36	230	9.78	3.86	B43611A8108M0##
1000	45 x 85	140	36	230	9.43	3.72	B43611B8108M0##
1000	50 x 75	140	40	230	9.32	3.68	B43611C8108M0##
1200	45 x 100	120	30	200	10.8	4.30	B43611A8128M0##
1200	50 x 85	120	32	200	10.6	4.20	B43611B8128M0##
1500	50 x 105	100	26	160	12.6	4.98	B43611A8158M0##

Capacitors with 50 mm case diameter are only available with 5-pin snap-in terminals.

Composition of ordering code

= Terminal style and insulation feature

50 = 4-/5-pin snap-in standard terminals and PET sleeve

57 = 4-/5-pin snap-in short terminals and PET sleeve

70 = 4-/5-pin snap-in standard terminals and PVC sleeve with additional PET insulation cap on terminal side

77 = 4-/5-pin snap-in short terminals and PVC sleeve with additional PET insulation cap on terminal side

Remark:

- For useful life calculations, please use our web-based "AlCap Useful Life Calculation Tool", which can be found on the Internet under the following link:
www.tdk-electronics.tdk.com/en/alcap
The "AlCap Useful Life Calculation Tool" provides calculations of useful life as well as additional data for selected capacitor types under operating conditions defined by the user.

Cautions and warnings

Personal safety

The electrolytes used have been optimized both with a view to the intended application and with regard to health and environmental compatibility. They do not contain any solvents that are detrimental to health, e.g. dimethyl formamide (DMF) or dimethyl acetamide (DMAC). Furthermore, some of the high-voltage electrolytes used are self-extinguishing.

As far as possible, we do not use any dangerous chemicals or compounds to produce operating electrolytes, although in exceptional cases, such materials must be used in order to achieve specific physical and electrical properties because no alternative materials are currently known.

We do, however, restrict the amount of dangerous materials used in our products to an absolute minimum.

Materials and chemicals used in our aluminum electrolytic capacitors are continuously adapted in compliance with the TDK Electronics Corporate Environmental Policy and the latest EU regulations and guidelines such as RoHS, REACH/SVHC, GADSL, and ELV.

MDS (Material Data Sheets) are available on our website for all types listed in the data book.

MDS for customer specific capacitors are available upon request.

MSDS (Material Safety Data Sheets) are available for our electrolytes upon request.

Nevertheless, the following rules should be observed when handling aluminum electrolytic capacitors: No electrolyte should come into contact with eyes or skin. If electrolyte does come into contact with the skin, wash the affected areas immediately with running water. If the eyes are affected, rinse them for 10 minutes with plenty of water. If symptoms persist, seek medical treatment. Avoid inhaling electrolyte vapor or mists. Workplaces and other affected areas should be well ventilated. Clothing that has been contaminated by electrolyte must be changed and rinsed in water.

Product safety

The table below summarizes the safety instructions that must be observed without fail. A detailed description can be found in the relevant sections of separate file chapter "General technical information".

Topic	Safety information	Reference chapter "General technical information"
Polarity	Make sure that polar capacitors are connected with the right polarity.	1 "Basic construction of aluminum electrolytic capacitors"
Reverse voltage	Voltages of opposite polarity should be prevented by connecting a diode.	3.1.6 "Reverse voltage"
Mounting position of capacitors with screw or multi-pin terminals	Multi-pin capacitors with pressure relief vent on the can base must not be mounted with terminals facing up unless otherwise specified.	11.1 "Mounting positions of capacitors with screw or multi-pin terminals"
Robustness of terminals	The following maximum tightening torques must not be exceeded when connecting screw terminals: M5: 2.5 Nm M6: 4.0 Nm	11.2 "Mounting torques"
Mounting of single-ended capacitors	The internal structure of single-ended capacitors might be damaged if excessive force is applied to the lead wires. Avoid any compressive, tensile or flexural stress. Do not move the capacitor after soldering to PC board. Do not pick up the PC board by the soldered capacitor. Do not insert the capacitor on the PC board with a hole space different to the lead space specified.	11.3 "Mounting considerations for single-ended capacitors"
Soldering	Do not exceed the specified time or temperature limits during soldering.	11.5 "Soldering"
Soldering, cleaning agents	Do not allow halogenated hydrocarbons to come into contact with aluminum electrolytic capacitors.	11.6 "Cleaning agents"
Upper category temperature	Do not exceed the upper category temperature.	7.2 "Maximum permissible operating temperature"
Passive flammability	Avoid external energy, e.g. fire.	8.1 "Passive flammability"

Capacitors with multi-pin terminals
B43611
High voltage 85 °C

Topic	Safety information	Reference chapter "General technical information"
Active flammability	Avoid overload of the capacitors.	8.2 "Active flammability"
Maintenance	Make periodic inspections of the capacitors. Before the inspection, make sure that the power supply is turned off and carefully discharge the capacitors. Do not apply excessive mechanical stress to the capacitor terminals when mounting.	10 "Maintenance"
Storage	Do not store capacitors at high temperatures or high humidity. Capacitors should be stored at +5 to +35 °C and a relative humidity of $\leq 75\%$.	7.3 "Shelf life and storage conditions"
		Reference chapter "Capacitors with screw terminals"
Breakdown strength of insulating sleeves	Do not damage the insulating sleeve, especially when ring clips are used for mounting.	"Screw terminals – accessories"

Display of ordering codes for TDK Electronics products

The ordering code for one and the same product can be represented differently in data sheets, data books, other publications, on the company website, or in order-related documents such as shipping notes, order confirmations and product labels. The varying representations of the ordering codes are due to different processes employed and do not affect the specifications of the respective products.

Detailed information can be found on the Internet under www.tdk-electronics.tdk.com/orderingcodes.

Symbols and terms

Symbol	English	German
C	Capacitance	Kapazität
C_R	Rated capacitance	Nennkapazität
C_S	Series capacitance	Serienkapazität
$C_{S,T}$	Series capacitance at temperature T	Serienkapazität bei Temperatur T
C_f	Capacitance at frequency f	Kapazität bei Frequenz f
d	Case diameter, nominal dimension	Gehäusedurchmesser, Nennmaß
d_{max}	Maximum case diameter	Maximaler Gehäusedurchmesser
ESL	Self-inductance	Eigeninduktivität
ESR	Equivalent series resistance	Ersatzserienwiderstand
ESR_f	Equivalent series resistance at frequency f	Ersatzserienwiderstand bei Frequenz f
ESR_T	Equivalent series resistance at temperature T	Ersatzserienwiderstand bei Temperatur T
f	Frequency	Frequenz
I	Current	Strom
I_{AC}	Alternating current (ripple current)	Wechselstrom
$I_{AC,RMS}$	Root-mean-square value of alternating current	Wechselstrom, Effektivwert
$I_{AC,f}$	Ripple current at frequency f	Wechselstrom bei Frequenz f
$I_{AC,max}$	Maximum permissible ripple current	Maximal zulässiger Wechselstrom
$I_{AC,R}$	Rated ripple current	Nennwechselstrom
I_{leak}	Leakage current	Reststrom
$I_{leak,op}$	Operating leakage current	Betriebsreststrom
l	Case length, nominal dimension	Gehäuselänge, Nennmaß
l_{max}	Maximum case length (without terminals and mounting stud)	Maximale Gehäuselänge (ohne Anschlüsse und Gewindebolzen)
R	Resistance	Widerstand
R_{ins}	Insulation resistance	Isolationswiderstand
R_{symm}	Balancing resistance	Symmetrierwiderstand
T	Temperature	Temperatur
ΔT	Temperature difference	Temperaturdifferenz
T_A	Ambient temperature	Umgebungstemperatur
T_B	Capacitor base temperature	Temperatur des Gehäusebodens
T_C	Case temperature	Gehäusetemperatur
t	Time	Zeit
Δt	Period	Zeitraum
t_b	Service life (operating hours)	Brauchbarkeitsdauer (Betriebszeit)
V	Voltage	Spannung
V_F	Forming voltage	Formierspannung
V_{op}	Operating voltage	Betriebsspannung
V_R	Rated voltage, DC voltage	Nennspannung, Gleichspannung
V_S	Surge voltage	Spitzenspannung
X_C	Capacitive reactance	Kapazitiver Blindwiderstand

Symbol	English	German
X_L	Inductive reactance	Induktiver Blindwiderstand
Z	Impedance	Scheinwiderstand
Z_T	Impedance at temperature T	Scheinwiderstand bei Temperatur T
$\tan \delta$	Dissipation factor	Verlustfaktor
λ	Failure rate	Ausfallrate
ϵ_0	Absolute permittivity	Elektrische Feldkonstante
ϵ_r	Relative permittivity	Dielektrizitätszahl
ω	Angular frequency; $2 \cdot \pi \cdot f$	Kreisfrequenz; $2 \cdot \pi \cdot f$

Note:

All dimensions are given in mm.

Important notes

The following applies to all products named in this publication:

1. Some parts of this publication contain **statements about the suitability of our products for certain areas of application**. These statements are based on our knowledge of typical requirements that are often placed on our products in the areas of application concerned. We nevertheless expressly point out **that such statements cannot be regarded as binding statements about the suitability of our products for a particular customer application**. As a rule, we are either unfamiliar with individual customer applications or less familiar with them than the customers themselves. For these reasons, it is always ultimately incumbent on the customer to check and decide whether a product with the properties described in the product specification is suitable for use in a particular customer application.
2. We also point out that **in individual cases, a malfunction of electronic components or failure before the end of their usual service life cannot be completely ruled out in the current state of the art, even if they are operated as specified**. In customer applications requiring a very high level of operational safety and especially in customer applications in which the malfunction or failure of an electronic component could endanger human life or health (e.g. in accident prevention or life-saving systems), it must therefore be ensured by means of suitable design of the customer application or other action taken by the customer (e.g. installation of protective circuitry or redundancy) that no injury or damage is sustained by third parties in the event of malfunction or failure of an electronic component.
3. **The warnings, cautions and product-specific notes must be observed.**
4. In order to satisfy certain technical requirements, **some of the products described in this publication may contain substances subject to restrictions in certain jurisdictions (e.g. because they are classed as hazardous)**. Useful information on this will be found in our Material Data Sheets on the Internet (www.tdk-electronics.tdk.com/material). Should you have any more detailed questions, please contact our sales offices.
5. We constantly strive to improve our products. Consequently, **the products described in this publication may change from time to time**. The same is true of the corresponding product specifications. Please check therefore to what extent product descriptions and specifications contained in this publication are still applicable before or when you place an order.
We also **reserve the right to discontinue production and delivery of products**. Consequently, we cannot guarantee that all products named in this publication will always be available. The aforementioned does not apply in the case of individual agreements deviating from the foregoing for customer-specific products.
6. Unless otherwise agreed in individual contracts, **all orders are subject to our General Terms and Conditions of Supply**.

Important notes

7. **Our manufacturing sites serving the automotive business apply the IATF 16949 standard.**
The IATF certifications confirm our compliance with requirements regarding the quality management system in the automotive industry. Referring to customer requirements and customer specific requirements (“CSR”) TDK always has and will continue to have the policy of respecting individual agreements. Even if IATF 16949 may appear to support the acceptance of unilateral requirements, we hereby like to emphasize that **only requirements mutually agreed upon can and will be implemented in our Quality Management System.** For clarification purposes we like to point out that obligations from IATF 16949 shall only become legally binding if individually agreed upon.
8. The trade names EPCOS, CarXield, CeraCharge, CeraDiode, CeraLink, CeraPad, CeraPlas, CSMP, CTVS, DeltaCap, DigiSiMic, ExoCore, FilterCap, FormFit, InsuGate, LeaXield, MiniBlue, MiniCell, MKD, MKK, ModCap, MotorCap, PCC, PhaseCap, PhaseCube, PhaseMod, PhiCap, PowerHap, PQSine, PQvar, SIFERRIT, SIFI, SIKOREL, SilverCap, SIMDAD, SiMic, SIMID, SineFormer, SIOV, ThermoFuse, WindCap, XieldCap are **trademarks registered or pending** in Europe and in other countries. Further information will be found on the Internet at www.tdk-electronics.tdk.com/trademarks.

Release 2022-07