

# Aluminum electrolytic capacitors

Capacitors with multi-pin terminals

**Series/Type:**            **B43610**

**Date:**                    January 2023

## Long-life grade capacitors

### Applications

- Frequency converters
- Solar inverters
- Uninterruptible power supplies
- Professional power supplies
- Medical appliances
- Not for automotive applications unless otherwise specified



### Features

- Voltage derating ( $0.90 V_R$  for  $V_R \leq 450 \text{ V}$ ) enables 105 °C operation, more details available upon request
- High volumetric efficiency
- Pinning ensures correct insertion
- Diffusion vent
- RoHS-compatible

### Construction

- Charge/discharge-proof, polar
- Aluminum case, covered with PET sleeve without insulation sheet at the can bottom
- Version with additional PET insulation cap on terminal side and PVC sleeve available for insulating the capacitor from the PCB
- Version with PVC sleeve available upon request
- Minus pole not insulated from case
- Overload protection by pressure relief vent on the base

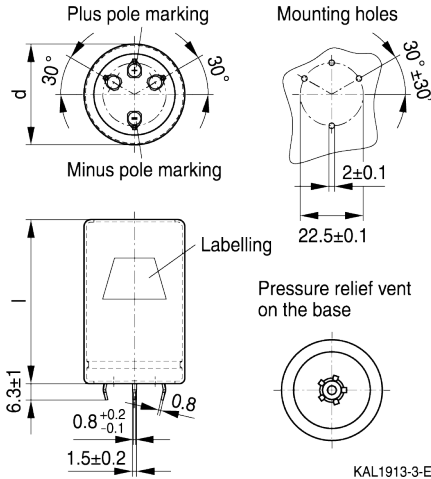
### Terminals

- 4-pin snap-in terminals (6.3 mm and 4.5 mm length) for diameter 35 to 45 mm
- 5-pin snap-in terminals (6.3 mm and 4.5 mm length) for diameter 50 mm

**Specifications and characteristics in brief**

Rated voltage $V_R$ Surge voltage $V_S$	400 ... 450 V DC $1.10 \cdot V_R$										
Rated capacitance $C_R$ Capacitance tolerance	330 ... 3900 $\mu$ F $\pm 20\% \triangleq M$										
Dissipation factor $\tan \delta$ (20 °C, 120 Hz)	for case diameter 35 ... 45 mm: $V_R \leq 400$ V DC: $\tan \delta < 0.15$ $V_R > 400$ V DC: $\tan \delta < 0.20$ for case diameter 50 mm: $\tan \delta < 0.20$										
Leakage current $I_{leak}$ (5 min, 20 °C)	$I_{leak} \leq 0.3 \mu A \cdot \left( \frac{C_R}{\mu F} \cdot \frac{V_R}{V} \right)^{0.7} + 4 \mu A$										
Self-inductance ESL	Approx. 20 nH										
Useful life <sup>1)</sup> 85 °C; $V_R$ ; $I_{AC,R}$	> 5000 h	Requirments: $ \Delta C/C  \leq 20\%$ of initial value $\tan \delta \leq 2$ times initial specified limit $I_{leak} \leq$ initial specified limit									
Voltage endurance test 85 °C; $V_R$	2000 h	Post test requirements: $ \Delta C/C  \leq 10\%$ of initial value $\tan \delta \leq 1.3$ times initial specified limit $I_{leak} \leq$ initial specified limit									
Vibration resistance test	To IEC 60068-2-6:2007, test Fc: Frequency range 10 ... 55 Hz, displacement amplitude 0.35 mm, acceleration max. 5 g, duration 3 x 2 h. Capacitor mounted by its body which is rigidly clamped to the work surface.										
Characteristics at low temperature	Max. impedance ratio at 100 Hz	<table border="1"> <thead> <tr> <th><math>V_R</math></th> <th><math>\leq 400</math> V</th> <th><math>&gt; 400</math> V</th> </tr> </thead> <tbody> <tr> <td><math>Z_{-25\text{ °C}} / Z_{20\text{ °C}}</math></td> <td>5</td> <td>7</td> </tr> <tr> <td><math>Z_{-40\text{ °C}} / Z_{20\text{ °C}}</math></td> <td>14</td> <td>20</td> </tr> </tbody> </table>	$V_R$	$\leq 400$ V	$> 400$ V	$Z_{-25\text{ °C}} / Z_{20\text{ °C}}$	5	7	$Z_{-40\text{ °C}} / Z_{20\text{ °C}}$	14	20
$V_R$	$\leq 400$ V	$> 400$ V									
$Z_{-25\text{ °C}} / Z_{20\text{ °C}}$	5	7									
$Z_{-40\text{ °C}} / Z_{20\text{ °C}}$	14	20									
IEC climatic category	To IEC 60068-1:2013 25/085/56 (-25 °C/+85 °C/56 days damp heat test) The capacitors can be operated in the temperature range of -40 °C to +85 °C but the impedance at -40 °C must be taken into consideration.										
Sectional specification	IEC 60384-4:2016										

1) Refer to chapter "General technical information, 5 Useful life" on how to interpret useful life.

**Dimensional drawings**
**B43610, 4-pin snap-in terminals with PET sleeve**


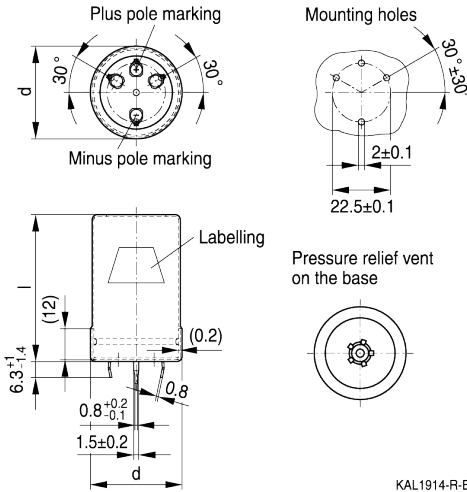
Standard snap-in terminals: length (6.3 ±1) mm.

Also available in a shorter version with a length of (4.5 -1) mm.

All pin holes must be drilled into the PC-board, since the unconnected pins serve as mountings. These pins must be soldered to insulated pads or pads with the same potential as the negative pole.

Dimensions (mm)		Approx. weight (g)	Packing units (pcs.)
d +1	l ±2		
35	30	52	60
35	35	60	60
35	40	68	60
35	45	76	60
35	50	83	60
35	55	91	36
35	60	99	36
35	70	115	36
35	75	123	36
35	80	130	36
35	95	154	36
40	30	58	33
40	35	68	33
40	40	78	33
40	45	88	33
40	55	108	33

Dimensions (mm)		Approx. weight (g)	Packing units (pcs.)
d +1	l ±2		
40	65	128	33
40	75	148	33
40	85	168	33
40	90	178	33
40	105	208	33
45	30	88	28
45	35	101	28
45	40	114	28
45	45	128	28
45	50	141	28
45	55	154	28
45	60	167	28
45	70	194	28
45	85	234	28
45	100	274	28

**B43610, 4-pin snap-in terminals, PVC sleeve and PET insulation cap on terminal side**


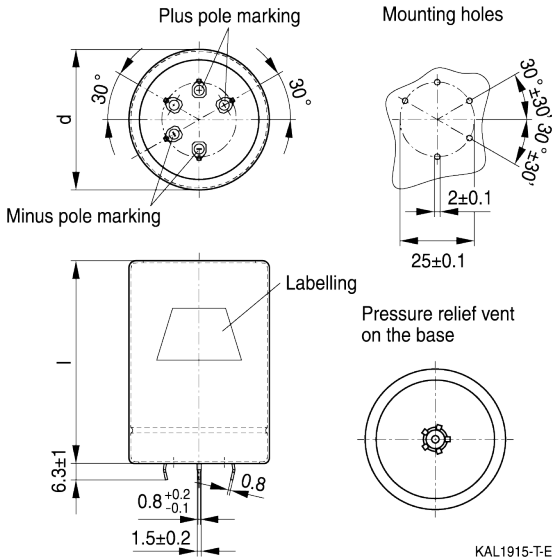
Standard snap-in terminals: length ( $6.3 \pm 1.4$ ) mm.

Also available in a shorter version with a length of (4.5 - 1.4) mm.

PET insulation cap is positioned under the PVC sleeve.

All pin holes must be drilled into the PC-board, since the unconnected pins serve as mountings. These pins must be soldered to insulated pads or pads with the same potential as the negative pole.

Dimensions (mm)		Approx. weight (g)	Packing units (pcs.)	Dimensions (mm)		Approx. weight (g)	Packing units (pcs.)
d +1.4	l +2.2/-2			d +1.4	l +2.2/-2		
35	30	52	60	40	65	128	33
35	35	60	60	40	75	148	33
35	40	68	60	40	85	168	33
35	45	76	60	40	90	178	33
35	50	83	60	40	105	208	33
35	55	91	36	45	30	88	28
35	60	99	36	45	35	101	28
35	70	115	36	45	40	114	28
35	75	123	36	45	45	128	28
35	80	130	36	45	50	141	28
35	95	154	36	45	55	154	28
40	30	58	33	45	60	167	28
40	35	68	33	45	70	194	28
40	40	78	33	45	85	234	28
40	45	88	33	45	100	274	28
40	55	108	33				

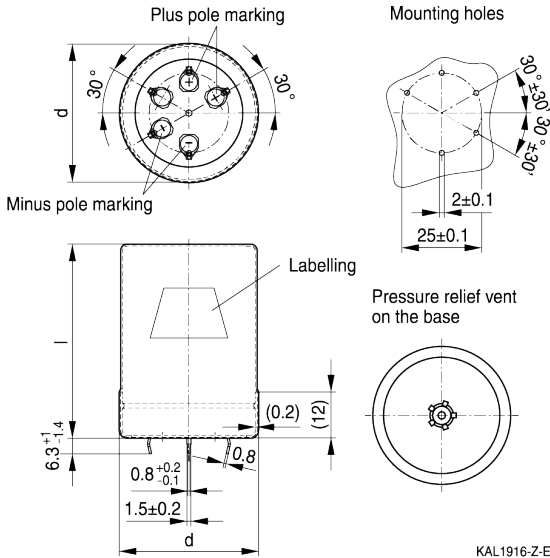
**B43610, 5-pin snap-in terminals with PET sleeve**


Standard snap-in terminals: length  $(6.3 \pm 1)$  mm.

Also available in a shorter version with a length of  $(4.5 - 1)$  mm.

All pin holes must be drilled into the PC-board, since the unconnected pin serves as mounting. This pin must be soldered to an insulated pad or a pad with the same potential as the negative pole.

Dimensions (mm)		Approx. weight (g)	Packing units (pcs.)
$d + 1$	$l \pm 2$		
50	40	126	28
50	45	144	28
50	50	162	28
50	55	179	28
50	65	215	28
50	75	251	28
50	85	287	28
50	100	340	28

**B43610, 5-pin snap-in terminals, PVC sleeve and PET insulation cap on terminal side**


Standard snap-in terminals: length  $(6.3 \pm 1.4)$  mm.

Also available in a shorter version with a length of  $(4.5 - 1.4)$  mm.

PET insulation cap is positioned under the PVC sleeve.

All pin holes must be drilled into the PC-board, since the unconnected pin serves as mounting.

This pin must be soldered to an insulated pad or a pad with the same potential as the negative pole.

Dimensions (mm)		Approx. weight (g)	Packing units (pcs.)
$d + 1.4$	$l + 2.2/-2$		
50	40	126	28
50	45	144	28
50	50	162	28
50	55	179	28
50	65	215	28
50	75	251	28
50	85	287	28
50	100	340	28

**Packaging of 4-/5-pin snap-in terminal capacitors**


For ecological reasons the packing is pure cardboard.

**Ordering codes for terminal styles and insulation features**

Identification in 3<sup>rd</sup> block of ordering code

4-/5-pin snap-in terminal capacitors

Terminal version	Insulation version	
	PET sleeve	PVC sleeve plus PET cap
Standard terminals 6.3 mm	M050	M070
Short terminals 4.5 mm	M057	M077

Ordering examples:

- B43610A9188M057 } 4-pin snap-in capacitor with short terminals and PET sleeve
- B43610D9188M070 } 5-pin snap-in capacitor with standard terminals and PVC sleeve with additional PET insulation cap on terminal side



**Overview of available types**

The capacitance and voltage ratings listed below are available in different case sizes upon request. Other voltage and capacitance ratings are also available upon request.

Capacitors with 50 mm case diameter are only available with 5-pin snap-in terminals.

$V_R$ (V DC)	400	450
	Case dimensions d x l (mm)	
$C_R$ (μF)		
330		35 x 30
390	35 x 30	35 x 35 40 x 30
470	35 x 35	35 x 40 40 x 35
560	35 x 40 40 x 30	35 x 45 40 x 35 45 x 30
680	35 x 45 40 x 35 45 x 30	35 x 50 40 x 40 45 x 35
820	35 x 50 40 x 40 45 x 35	35 x 60 40 x 45 45 x 40 50 x 40
1000	35 x 55 40 x 45 45 x 40 50 x 40	35 x 70 40 x 55 45 x 45 50 x 45
1200	35 x 70 40 x 55 45 x 45 50 x 45	35 x 80 40 x 65 45 x 50 50 x 50
1500	35 x 80 40 x 65 45 x 55 50 x 50	35 x 95 40 x 75 45 x 60 50 x 55
1800	35 x 95 40 x 75 45 x 60 50 x 55	40 x 85 45 x 70 50 x 65
2200	40 x 90 45 x 70 50 x 65	40 x 105 45 x 85 50 x 75
2700	40 x 105 45 x 85 50 x 75	45 x 100 50 x 85
3300	45 x 100 50 x 85	50 x 100
3900	50 x 100	

**Technical data and ordering codes**

$C_R$ 100 Hz 20 °C $\mu\text{F}$	Case dimensions d x l mm	$\text{ESR}_{\text{typ}}$ 100 Hz 20 °C m $\Omega$	$\text{ESR}_{\text{typ}}$ 300 Hz 60 °C m $\Omega$	$Z_{\text{max}}$ 10 kHz 20 °C m $\Omega$	$I_{\text{AC,max}}$ 100 Hz 60 °C A	$I_{\text{AC,R}}$ 100 Hz 85 °C A	Ordering code
$V_R = 400 \text{ V DC}$							
390	35 x 30	230	70	340	3.99	2.39	B43610A9397M0##
470	35 x 35	190	55	280	4.57	2.75	B43610A9477M0##
560	35 x 40	160	45	240	5.18	3.11	B43610A9567M0##
560	40 x 30	160	55	250	4.95	2.96	B43610B9567M0##
680	35 x 45	130	40	200	5.91	3.55	B43610A9687M0##
680	40 x 35	140	45	200	5.71	3.42	B43610B9687M0##
680	45 x 30	140	50	210	5.61	3.36	B43610C9687M0##
820	35 x 50	110	34	170	6.72	4.03	B43610A9827M0##
820	40 x 40	110	36	170	6.51	3.91	B43610B9827M0##
820	45 x 35	120	40	180	6.46	3.88	B43610C9827M0##
1000	35 x 55	90	28	140	7.70	4.62	B43610A9108M0##
1000	40 x 45	90	30	140	7.43	4.46	B43610B9108M0##
1000	45 x 40	95	32	150	7.39	4.43	B43610C9108M0##
1000	50 x 40	100	36	160	7.52	4.40	B43610D9108M0##
1200	35 x 70	80	24	120	9.13	5.48	B43610A9128M0##
1200	40 x 55	80	26	120	8.67	5.20	B43610B9128M0##
1200	45 x 45	80	28	130	8.35	5.01	B43610C9128M0##
1200	50 x 45	85	32	130	8.49	4.97	B43610D9128M0##

Capacitors with 50 mm case diameter are only available with 5-pin snap-in terminals.

**Composition of ordering code**

## = Terminal style and insulation feature

50 = 4-/5-pin snap-in standard terminals and PET sleeve

57 = 4-/5-pin snap-in short terminals and PET sleeve

70 = 4-/5-pin snap-in standard terminals and PVC sleeve with additional PET insulation cap on terminal side

77 = 4-/5-pin snap-in short terminals and PVC sleeve with additional PET insulation cap on terminal side

**Capacitors with multi-pin terminals**
**B43610**
**Compact 85 °C**

$C_R$ 100 Hz 20 °C $\mu\text{F}$	Case dimensions d x l mm	$ESR_{\text{typ}}$ 100 Hz 20 °C m $\Omega$	$ESR_{\text{typ}}$ 300 Hz 60 °C m $\Omega$	$Z_{\text{max}}$ 10 kHz 20 °C m $\Omega$	$I_{\text{AC,max}}$ 100 Hz 60 °C A	$I_{\text{AC,R}}$ 100 Hz 85 °C A	Ordering code
$V_R = 400 \text{ V DC}$							
1500	35 x 80	60	20	100	10.8	6.51	B43610A9158M0##
1500	40 x 65	65	20	100	10.2	6.13	B43610B9158M0##
1500	45 x 55	65	22	100	9.90	5.94	B43610C9158M0##
1500	50 x 50	70	26	110	9.63	5.64	B43610D9158M0##
1800	35 x 95	50	16	80	12.6	7.58	B43610A9188M0##
1800	40 x 75	55	18	85	11.7	7.05	B43610B9188M0##
1800	45 x 60	55	20	85	11.0	6.65	B43610C9188M0##
1800	50 x 55	60	22	90	10.7	6.29	B43610D9188M0##
2200	40 x 90	45	14	70	13.7	8.28	B43610A9228M0##
2200	45 x 70	45	16	70	12.8	7.72	B43610B9228M0##
2200	50 x 65	45	19	75	12.4	7.30	B43610C9228M0##
2700	40 x 105	36	12	55	16.2	9.76	B43610A9278M0##
2700	45 x 85	38	14	60	15.1	9.09	B43610B9278M0##
2700	50 x 75	40	16	65	14.3	8.40	B43610C9278M0##
3300	45 x 100	30	11	50	17.7	10.6	B43610A9338M0##
3300	50 x 85	32	14	55	16.3	9.60	B43610B9338M0##
3900	50 x 100	28	11	45	18.7	10.9	B43610A9398M0##

Capacitors with 50 mm case diameter are only available with 5-pin snap-in terminals.

**Composition of ordering code**

## = Terminal style and insulation feature

50 = 4-/5-pin snap-in standard terminals and PET sleeve

57 = 4-/5-pin snap-in short terminals and PET sleeve

70 = 4-/5-pin snap-in standard terminals and PVC sleeve with additional PET insulation cap on terminal side

77 = 4-/5-pin snap-in short terminals and PVC sleeve with additional PET insulation cap on terminal side

**Capacitors with multi-pin terminals**
**B43610**
**Compact 85 °C**

$C_R$ 100 Hz 20 °C $\mu\text{F}$	Case dimensions d x l mm	$\text{ESR}_{\text{typ}}$ 100 Hz 20 °C m $\Omega$	$\text{ESR}_{\text{typ}}$ 300 Hz 60 °C m $\Omega$	$Z_{\text{max}}$ 10 kHz 20 °C m $\Omega$	$I_{\text{AC,max}}$ 100 Hz 60 °C A	$I_{\text{AC,R}}$ 100 Hz 85 °C A	Ordering code
$V_R = 450 \text{ V DC}$							
330	35 x 30	350	95	540	3.64	2.13	B43610A5337M0##
390	35 x 35	290	80	450	4.13	2.42	B43610A5397M0##
390	40 x 30	300	80	460	4.14	2.43	B43610B5397M0##
470	35 x 40	240	65	380	4.71	2.76	B43610A5477M0##
470	40 x 35	250	65	380	4.74	2.78	B43610B5477M0##
560	35 x 45	200	55	320	5.32	3.13	B43610A5567M0##
560	40 x 35	210	60	330	5.17	3.03	B43610B5567M0##
560	45 x 30	210	65	330	5.10	2.99	B43610C5567M0##
680	35 x 50	170	45	260	6.09	3.58	B43610A5687M0##
680	40 x 40	170	50	270	5.92	3.47	B43610B5687M0##
680	45 x 35	180	50	280	5.89	3.46	B43610C5687M0##
820	35 x 60	140	40	220	7.06	4.15	B43610A5827M0##
820	40 x 45	140	40	230	6.74	3.95	B43610B5827M0##
820	45 x 40	140	45	230	6.72	3.94	B43610C5827M0##
820	50 x 40	150	45	230	6.88	4.03	B43610D5827M0##
1000	35 x 70	120	32	180	8.25	4.85	B43610A5108M0##
1000	40 x 55	120	34	190	7.89	4.63	B43610B5108M0##
1000	45 x 45	120	36	190	7.65	4.49	B43610C5108M0##
1000	50 x 45	120	40	190	7.82	4.58	B43610D5108M0##
1200	35 x 80	100	26	150	9.54	5.60	B43610A5128M0##
1200	40 x 65	100	28	160	9.07	5.33	B43610B5128M0##
1200	45 x 50	100	32	160	8.63	5.06	B43610C5128M0##
1200	50 x 50	100	34	160	8.77	5.14	B43610D5128M0##

Capacitors with 50 mm case diameter are only available with 5-pin snap-in terminals.

**Composition of ordering code**

## = Terminal style and insulation feature

50 = 4-/5-pin snap-in standard terminals and PET sleeve

57 = 4-/5-pin snap-in short terminals and PET sleeve

70 = 4-/5-pin snap-in standard terminals and PVC sleeve with additional PET insulation cap on terminal side

77 = 4-/5-pin snap-in short terminals and PVC sleeve with additional PET insulation cap on terminal side

**Capacitors with multi-pin terminals**
**B43610**
**Compact 85 °C**

$C_R$ 100 Hz 20 °C $\mu\text{F}$	Case dimensions d x l mm	$\text{ESR}_{\text{typ}}$ 100 Hz 20 °C m $\Omega$	$\text{ESR}_{\text{typ}}$ 300 Hz 60 °C m $\Omega$	$Z_{\text{max}}$ 10 kHz 20 °C m $\Omega$	$I_{\text{AC,max}}$ 100 Hz 60 °C A	$I_{\text{AC,R}}$ 100 Hz 85 °C A	Ordering code
$V_R = 450 \text{ V DC}$							
1500	35 x 95	75	22	120	11.4	6.72	B43610A5158M0##
1500	40 x 75	80	22	130	10.7	6.28	B43610B5158M0##
1500	45 x 60	80	26	130	10.2	5.98	B43610C5158M0##
1500	50 x 55	85	28	140	9.95	5.83	B43610D5158M0##
1800	40 x 85	65	20	110	12.3	7.24	B43610A5188M0##
1800	45 x 70	65	20	110	11.7	6.88	B43610B5188M0##
1800	50 x 65	70	24	110	11.4	6.72	B43610C5188M0##
2200	40 x 105	55	16	85	14.6	8.58	B43610A5228M0##
2200	45 x 85	55	17	90	13.7	8.07	B43610B5228M0##
2200	50 x 75	55	20	90	13.1	7.72	B43610C5228M0##
2700	45 x 100	45	14	75	16.1	9.47	B43610A5278M0##
2700	50 x 85	45	16	75	15.1	8.87	B43610B5278M0##
3300	50 x 100	40	14	65	17.5	10.3	B43610A5338M0##

Capacitors with 50 mm case diameter are only available with 5-pin snap-in terminals.

**Composition of ordering code**

## = Terminal style and insulation feature

50 = 4-/5-pin snap-in standard terminals and PET sleeve

57 = 4-/5-pin snap-in short terminals and PET sleeve

70 = 4-/5-pin snap-in standard terminals and PVC sleeve with additional PET insulation cap on terminal side

77 = 4-/5-pin snap-in short terminals and PVC sleeve with additional PET insulation cap on terminal side

**Remark:**

- For useful life calculations, please use our web-based "AlCap Useful Life Calculation Tool", which can be found on the Internet under the following link:

[www.tdk-electronics.tdk.com/en/alcap](http://www.tdk-electronics.tdk.com/en/alcap)

The "AlCap Useful Life Calculation Tool" provides calculations of useful life as well as additional data for selected capacitor types under operating conditions defined by the user.

## Cautions and warnings

### Personal safety

The electrolytes used have been optimized both with a view to the intended application and with regard to health and environmental compatibility. They do not contain any solvents that are detrimental to health, e.g. dimethyl formamide (DMF) or dimethyl acetamide (DMAC). Furthermore, some of the high-voltage electrolytes used are self-extinguishing.

As far as possible, we do not use any dangerous chemicals or compounds to produce operating electrolytes, although in exceptional cases, such materials must be used in order to achieve specific physical and electrical properties because no alternative materials are currently known.

We do, however, restrict the amount of dangerous materials used in our products to an absolute minimum.

Materials and chemicals used in our aluminum electrolytic capacitors are continuously adapted in compliance with the TDK Electronics Corporate Environmental Policy and the latest EU regulations and guidelines such as RoHS, REACH/SVHC, GADSL, and ELV.

MDS (Material Data Sheets) are available on our website for all types listed in the data book.

MDS for customer specific capacitors are available upon request.

MSDS (Material Safety Data Sheets) are available for our electrolytes upon request.

Nevertheless, the following rules should be observed when handling aluminum electrolytic capacitors: No electrolyte should come into contact with eyes or skin. If electrolyte does come into contact with the skin, wash the affected areas immediately with running water. If the eyes are affected, rinse them for 10 minutes with plenty of water. If symptoms persist, seek medical treatment. Avoid inhaling electrolyte vapor or mists. Workplaces and other affected areas should be well ventilated. Clothing that has been contaminated by electrolyte must be changed and rinsed in water.

**Product safety**

The table below summarizes the safety instructions that must be observed without fail. A detailed description can be found in the relevant sections of separate file chapter "General technical information".

Topic	Safety information	Reference chapter "General technical information"
Polarity	Make sure that polar capacitors are connected with the right polarity.	1 "Basic construction of aluminum electrolytic capacitors"
Reverse voltage	Voltages of opposite polarity should be prevented by connecting a diode.	3.1.6 "Reverse voltage"
Mounting position of capacitors with screw or multi-pin terminals	Multi-pin capacitors with pressure relief vent on the can base must not be mounted with terminals facing up unless otherwise specified.	11.1 "Mounting positions of capacitors with screw or multi-pin terminals"
Robustness of terminals	The following maximum tightening torques must not be exceeded when connecting screw terminals: M5: 2.5 Nm M6: 4.0 Nm	11.2 "Mounting torques"
Mounting of single-ended capacitors	The internal structure of single-ended capacitors might be damaged if excessive force is applied to the lead wires. Avoid any compressive, tensile or flexural stress. Do not move the capacitor after soldering to PC board. Do not pick up the PC board by the soldered capacitor. Do not insert the capacitor on the PC board with a hole space different to the lead space specified.	11.3 "Mounting considerations for single-ended capacitors"
Soldering	Do not exceed the specified time or temperature limits during soldering.	11.5 "Soldering"
Soldering, cleaning agents	Do not allow halogenated hydrocarbons to come into contact with aluminum electrolytic capacitors.	11.6 "Cleaning agents"
Upper category temperature	Do not exceed the upper category temperature.	7.2 "Maximum permissible operating temperature"
Passive flammability	Avoid external energy, e.g. fire.	8.1 "Passive flammability"

Topic	Safety information	Reference chapter "General technical information"
Active flammability	Avoid overload of the capacitors.	8.2 "Active flammability"
Maintenance	Make periodic inspections of the capacitors. Before the inspection, make sure that the power supply is turned off and carefully discharge the capacitors. Do not apply excessive mechanical stress to the capacitor terminals when mounting.	10 "Maintenance"
Storage	Do not store capacitors at high temperatures or high humidity. Capacitors should be stored at +5 to +35 °C and a relative humidity of $\leq 75\%$ .	7.3 "Shelf life and storage conditions"
		Reference chapter "Capacitors with screw terminals"
Breakdown strength of insulating sleeves	Do not damage the insulating sleeve, especially when ring clips are used for mounting.	"Screw terminals – accessories"

### Display of ordering codes for TDK Electronics products

The ordering code for one and the same product can be represented differently in data sheets, data books, other publications, on the company website, or in order-related documents such as shipping notes, order confirmations and product labels. The varying representations of the ordering codes are due to different processes employed and do not affect the specifications of the respective products.

Detailed information can be found on the Internet under [www.tdk-electronics.tdk.com/orderingcodes](http://www.tdk-electronics.tdk.com/orderingcodes).



**Symbols and terms**

Symbol	English	German
C	Capacitance	Kapazität
$C_R$	Rated capacitance	Nennkapazität
$C_S$	Series capacitance	Serienkapazität
$C_{S,T}$	Series capacitance at temperature T	Serienkapazität bei Temperatur T
$C_f$	Capacitance at frequency f	Kapazität bei Frequenz f
d	Case diameter, nominal dimension	Gehäusedurchmesser, Nennmaß
$d_{max}$	Maximum case diameter	Maximaler Gehäusedurchmesser
ESL	Self-inductance	Eigeninduktivität
ESR	Equivalent series resistance	Ersatzserienwiderstand
$ESR_f$	Equivalent series resistance at frequency f	Ersatzserienwiderstand bei Frequenz f
$ESR_T$	Equivalent series resistance at temperature T	Ersatzserienwiderstand bei Temperatur T
f	Frequency	Frequenz
I	Current	Strom
$I_{AC}$	Alternating current (ripple current)	Wechselstrom
$I_{AC,RMS}$	Root-mean-square value of alternating current	Wechselstrom, Effektivwert
$I_{AC,f}$	Ripple current at frequency f	Wechselstrom bei Frequenz f
$I_{AC,max}$	Maximum permissible ripple current	Maximal zulässiger Wechselstrom
$I_{AC,R}$	Rated ripple current	Nennwechselstrom
$I_{leak}$	Leakage current	Reststrom
$I_{leak,op}$	Operating leakage current	Betriebsreststrom
l	Case length, nominal dimension	Gehäuselänge, Nennmaß
$l_{max}$	Maximum case length (without terminals and mounting stud)	Maximale Gehäuselänge (ohne Anschlüsse und Gewindebolzen)
R	Resistance	Widerstand
$R_{ins}$	Insulation resistance	Isolationswiderstand
$R_{symm}$	Balancing resistance	Symmetrierwiderstand
T	Temperature	Temperatur
$\Delta T$	Temperature difference	Temperaturdifferenz
$T_A$	Ambient temperature	Umgebungstemperatur
$T_B$	Capacitor base temperature	Temperatur des Gehäusebodens
$T_C$	Case temperature	Gehäusetemperatur
t	Time	Zeit
$\Delta t$	Period	Zeitraum
$t_b$	Service life (operating hours)	Brauchbarkeitsdauer (Betriebszeit)
V	Voltage	Spannung
$V_F$	Forming voltage	Formierspannung
$V_{op}$	Operating voltage	Betriebsspannung
$V_R$	Rated voltage, DC voltage	Nennspannung, Gleichspannung
$V_S$	Surge voltage	Spitzenspannung
$X_C$	Capacitive reactance	Kapazitiver Blindwiderstand

Symbol	English	German
$X_L$	Inductive reactance	Induktiver Blindwiderstand
$Z$	Impedance	Scheinwiderstand
$Z_T$	Impedance at temperature T	Scheinwiderstand bei Temperatur T
$\tan \delta$	Dissipation factor	Verlustfaktor
$\lambda$	Failure rate	Ausfallrate
$\epsilon_0$	Absolute permittivity	Elektrische Feldkonstante
$\epsilon_r$	Relative permittivity	Dielektrizitätszahl
$\omega$	Angular frequency; $2 \cdot \pi \cdot f$	Kreisfrequenz; $2 \cdot \pi \cdot f$

**Note:**

All dimensions are given in mm.

## Important notes

The following applies to all products named in this publication:

1. Some parts of this publication contain **statements about the suitability of our products for certain areas of application**. These statements are based on our knowledge of typical requirements that are often placed on our products in the areas of application concerned. We nevertheless expressly point out **that such statements cannot be regarded as binding statements about the suitability of our products for a particular customer application**. As a rule, we are either unfamiliar with individual customer applications or less familiar with them than the customers themselves. For these reasons, it is always ultimately incumbent on the customer to check and decide whether a product with the properties described in the product specification is suitable for use in a particular customer application.
2. We also point out that **in individual cases, a malfunction of electronic components or failure before the end of their usual service life cannot be completely ruled out in the current state of the art, even if they are operated as specified**. In customer applications requiring a very high level of operational safety and especially in customer applications in which the malfunction or failure of an electronic component could endanger human life or health (e.g. in accident prevention or life-saving systems), it must therefore be ensured by means of suitable design of the customer application or other action taken by the customer (e.g. installation of protective circuitry or redundancy) that no injury or damage is sustained by third parties in the event of malfunction or failure of an electronic component.
3. **The warnings, cautions and product-specific notes must be observed.**
4. In order to satisfy certain technical requirements, **some of the products described in this publication may contain substances subject to restrictions in certain jurisdictions (e.g. because they are classed as hazardous)**. Useful information on this will be found in our Material Data Sheets on the Internet ([www.tdk-electronics.tdk.com/material](http://www.tdk-electronics.tdk.com/material)). Should you have any more detailed questions, please contact our sales offices.
5. We constantly strive to improve our products. Consequently, **the products described in this publication may change from time to time**. The same is true of the corresponding product specifications. Please check therefore to what extent product descriptions and specifications contained in this publication are still applicable before or when you place an order.  
We also **reserve the right to discontinue production and delivery of products**. Consequently, we cannot guarantee that all products named in this publication will always be available. The aforementioned does not apply in the case of individual agreements deviating from the foregoing for customer-specific products.
6. Unless otherwise agreed in individual contracts, **all orders are subject to our General Terms and Conditions of Supply**.

## Important notes

7. **Our manufacturing sites serving the automotive business apply the IATF 16949 standard.**  
The IATF certifications confirm our compliance with requirements regarding the quality management system in the automotive industry. Referring to customer requirements and customer specific requirements (“CSR”) TDK always has and will continue to have the policy of respecting individual agreements. Even if IATF 16949 may appear to support the acceptance of unilateral requirements, we hereby like to emphasize that **only requirements mutually agreed upon can and will be implemented in our Quality Management System.** For clarification purposes we like to point out that obligations from IATF 16949 shall only become legally binding if individually agreed upon.
8. The trade names EPCOS, CarXield, CeraCharge, CeraDiode, CeraLink, CeraPad, CeraPlas, CSMP, CTVS, DeltaCap, DigiSiMic, ExoCore, FilterCap, FormFit, InsuGate, LeaXield, MiniBlue, MiniCell, MKD, MKK, ModCap, MotorCap, PCC, PhaseCap, PhaseCube, PhaseMod, PhiCap, PowerHap, PQSine, PQvar, SIFERRIT, SIFI, SIKOREL, SilverCap, SIMDAD, SiMic, SIMID, SineFormer, SIOV, ThermoFuse, WindCap, XieldCap are **trademarks registered or pending** in Europe and in other countries. Further information will be found on the Internet at [www.tdk-electronics.tdk.com/trademarks](http://www.tdk-electronics.tdk.com/trademarks).

Release 2022-07