



## **Aluminum electrolytic capacitors**

Capacitors with 4-pin snap-in terminals and solder pins

**Series/Type:** B43515, B43525

**Date:** December 2010

### Long-life grade capacitors

#### Applications

- Frequency converters
- Professional switch-mode power supplies

#### Features

- Long useful life
- High reliability and high ripple current capability
- High volumetric efficiency
- Many different case sizes
- Pinning ensures correct insertion
- RoHS-compatible

#### Construction

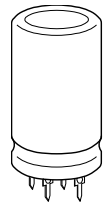
- Charge/discharge-proof, polar
- Aluminum case, fully insulated with PVC
- Version with additional PET insulation cap on terminal side available for insulating the capacitor from the PCB (B43515 only)
- Overload protection by safety vent on the case wall

#### Terminals

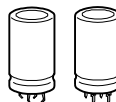
- 4-pin snap-in terminals (6.3 mm and 4.5 mm length)
- Solder pin mounting on printed circuit boards, pins fit standardized spacings on PCB



B43515



B43525


**Specifications and characteristics in brief**

Rated voltage $V_R$	350 ... 450 V DC										
Surge voltage $V_S$	$1.1 \cdot V_R$										
Rated capacitance $C_R$	390 ... 2700 $\mu$ F										
Capacitance tolerance	$\pm 20\% \triangle M$										
Leakage current $I_{leak}$ (5 min, 20 °C)	$I_{leak} \leq 0.3 \mu A \cdot \left( \frac{C_R}{\mu F} \cdot \frac{V_R}{V} \right)^{0.7} + 4 \mu A$										
Self-inductance ESL	Approx. 20 nH										
Useful life	Requirements:										
105 °C; $V_R$ ; $I_{AC,R}$	> 3000 h	$\Delta C/C \leq \pm 30\%$ of initial value									
85 °C; $V_R$ ; $I_{AC,max}$	> 7000 h	ESR $\leq 3$ times initial specified limit									
40 °C; $V_R$ ; $2.2 \cdot I_{AC,R}$	> 200000 h	$I_{leak} \leq$ initial specified limit									
Voltage endurance test	Post test requirements:										
105 °C; $V_R$	2000 h	$\Delta C/C \leq \pm 10\%$ of initial value									
		ESR $\leq 1.3$ times initial specified limit									
		$I_{leak} \leq$ initial specified limit									
Vibration resistance test	To IEC 60068-2-6, test Fc: Frequency range 10 ... 55 Hz, displacement amplitude 0.35 mm, acceleration max. 5 g, duration $3 \times 2$ h. Capacitor mounted by its body which is rigidly clamped to the work surface.										
Characteristics at low temperature	Max. impedance ratio at 100 Hz	<table border="1"> <tr> <td><math>V_R</math></td> <td><math>\leq 400</math> V</td> <td><math>&gt; 400</math> V</td> </tr> <tr> <td><math>Z_{-25^\circ C} / Z_{20^\circ C}</math></td> <td>4</td> <td>7</td> </tr> <tr> <td><math>Z_{-40^\circ C} / Z_{20^\circ C}</math></td> <td>7</td> <td>14</td> </tr> </table>	$V_R$	$\leq 400$ V	$> 400$ V	$Z_{-25^\circ C} / Z_{20^\circ C}$	4	7	$Z_{-40^\circ C} / Z_{20^\circ C}$	7	14
$V_R$	$\leq 400$ V	$> 400$ V									
$Z_{-25^\circ C} / Z_{20^\circ C}$	4	7									
$Z_{-40^\circ C} / Z_{20^\circ C}$	7	14									
IEC climatic category	To IEC 60068-1: $V_R \leq 400$ V DC: 40/105/56 (–40 °C/+105 °C/56 days damp heat test) $V_R > 400$ V DC: 25/105/56 (–25 °C/+105 °C/56 days damp heat test) The capacitors can be operated in the temperature range of –40 °C to +105 °C but the impedance at –40 °C should be taken into consideration.										
Detail specification	Similar to CECC 30301-808										
Sectional specification	IEC 60384-4										

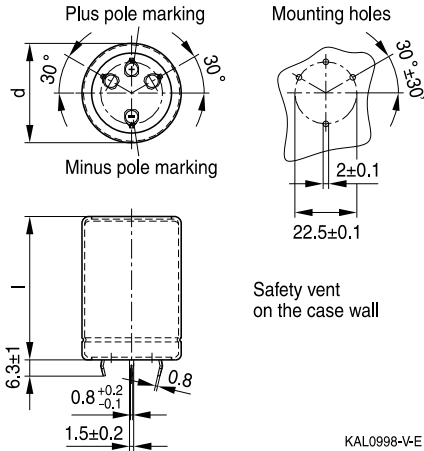


**B43515, B43525**

**Compact – 105 °C**

**Dimensional drawings**

**B43515, 4-pin snap-in terminals, PVC insulation**



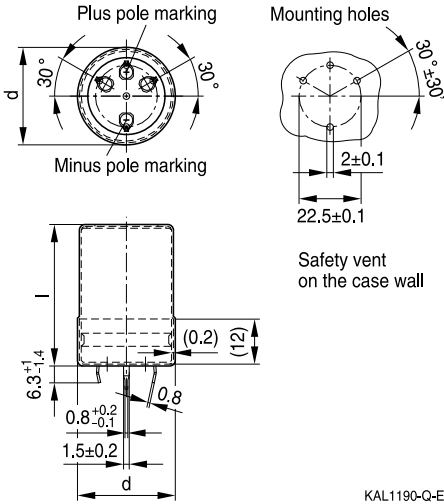
Standard snap-in terminals:

length (6.3 ± 1) mm.

Also available with length of (4.5 – 1) mm.

All pin holes must be drilled into the PC-board, since the unconnected pins serve as mountings. These pins must be soldered to isolated pads or pads with the same potential as the negative pole.

Dimensions (mm)		Approx. weight (g)	Packing units (pcs.)
d +1	l ±2		
35	45	57	60
35	50	63	60
35	55	70	36
35	60	76	36
35	65	82	36
35	70	88	36
35	75	95	36
35	80	101	36
40	40	71	33
40	45	80	33
40	50	89	33
40	60	107	33
40	65	116	33
40	70	125	33
40	75	134	33
40	80	143	33
40	90	161	33
40	95	170	33
45	40	95	28
45	45	108	28
45	50	120	28
45	60	143	28
45	65	155	28
45	70	166	28
45	75	178	28
45	80	190	28
45	90	214	28
45	95	226	28
45	100	237	28


**B43515, 4-pin snap-in terminals, PVC insulation and PET insulation cap on terminal side**


KAL1190-Q-E

Standard snap-in terminals:  
 length (6.3 +1/-1.4) mm. Also available with  
 length of (4.5 -1.4) mm. PET insulation cap is  
 positioned under the insulation sleeve.

All pin holes must be drilled into the PC-board,  
 since the unconnected pins serve as mountings.  
 These pins must be soldered to isolated pads or  
 pads with the same potential as the negative  
 pole.

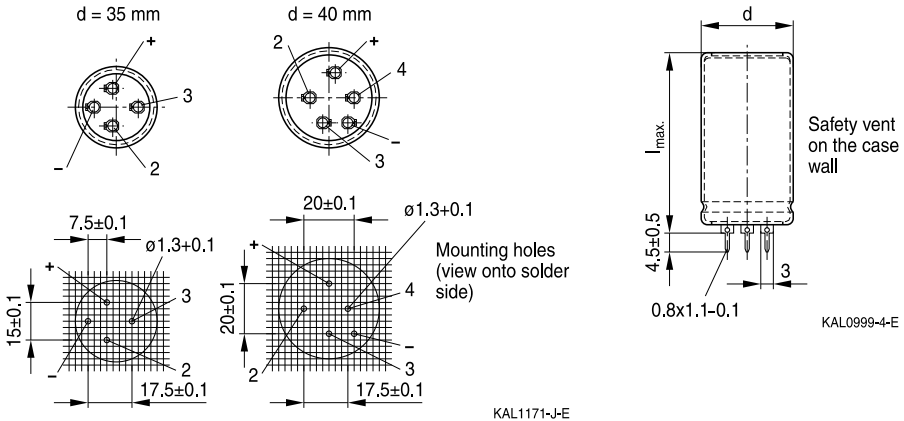
Dimensions (mm)		Approx. weight (g)	Packing units (pcs.)
d +1	l ±2		
35	45	57	60
35	50	63	60
35	55	70	36
35	60	76	36
35	65	82	36
35	70	88	36
35	75	95	36
35	80	101	36
40	40	71	33
40	45	80	33
40	50	89	33
40	60	107	33
40	65	116	33
40	70	125	33
40	75	134	33
40	80	143	33
40	90	161	33
40	95	170	33
45	40	95	28
45	45	108	28
45	50	120	28
45	60	143	28
45	65	155	28
45	70	166	28
45	75	178	28
45	80	190	28
45	90	214	28
45	95	226	28
45	100	237	28



**B43515, B43525**

**Compact – 105 °C**

**B43525, solder pins**

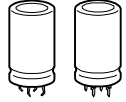


Pole markings: Plus: +; Minus: –

All pin holes must be drilled into the PC-board, since the unconnected pins serve as mountings. These pins must be soldered to isolated pads or pads with the same potential as the negative pole.

Dimensions (mm)		Approx. weight (g)	Packing units (pcs.)
d +1	l <sub>max</sub>		
35	49	57	60
35	54	63	60
35	59	70	36
35	64	76	36
35	69	82	36
35	74	88	36
35	79	95	36
35	84	101	36

Dimensions (mm)		Approx. weight (g)	Packing units (pcs.)
d +1	l <sub>max</sub>		
40	44	71	33
40	49	80	33
40	54	89	33
40	64	107	33
40	69	116	33
40	74	125	33
40	79	134	33
40	84	143	33
40	94	161	33
40	99	170	33



**Packing of 4-pin snap-in terminal and solder pin capacitors**



For ecological reasons the packing is pure cardboard.

**Ordering codes for terminal styles and insulation features**

Identification in 3rd block of ordering code

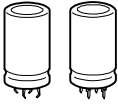
4-pin snap-in terminal capacitors

Terminal version	Insulation version	
	PVC	PVC plus PET cap
Standard terminals 6.3 mm	M000	M080
Short terminals 4.5 mm	M007	M087

Ordering examples:

B43515A9188M007 } 4-pin snap-in capacitor with short terminals and standard PVC insulation

B43515A9188M080 } 4-pin snap-in capacitor with standard terminals and PVC insulation with additional PET insulation cap on terminal side



**B43515, B43525**

**Compact – 105 °C**

**Overview of available types**

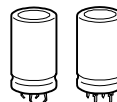
$V_R$ (V DC)	350	400	420	450
	Case dimensions $d \times l$ (mm)			
$C_R$ ( $\mu$ F)				
390			35 × 45 40 × 40	35 × 50 40 × 40
470		35 × 45 40 × 40	35 × 55 40 × 45	35 × 55 40 × 45 45 × 40
560	35 × 45 40 × 40	35 × 55 40 × 45 45 × 40	35 × 60 40 × 50 45 × 40	35 × 65 40 × 50 45 × 40
680	35 × 55 40 × 45	35 × 65 40 × 50 45 × 40	35 × 70 40 × 60 45 × 45	35 × 75 40 × 60 45 × 50
820	35 × 65 40 × 50 45 × 40	35 × 75 40 × 60 45 × 45	35 × 80 40 × 60 45 × 50	40 × 70 45 × 50
1000	35 × 75 40 × 60 45 × 45	40 × 65 45 × 50	40 × 75 45 × 60	40 × 80 45 × 65
1200	40 × 65 45 × 50	40 × 80 45 × 60	40 × 90 45 × 70	40 × 95 45 × 75
1500	40 × 80 45 × 65	45 × 70	45 × 80	45 × 90
1800	40 × 95 45 × 75	45 × 90	45 × 95	
2200	45 × 90			
2700	45 × 100			

The capacitance and voltage ratings listed above are available in different cases upon request.

Other voltage and capacitance ratings are also available upon request.

Capacitors with solder pins are only available in 35 and 40 mm case diameters.




**Technical data and ordering codes**

$C_R$	Case	$ESR_{typ}$	$ESR_{max}$	$Z_{max}$	$I_{AC,max}$	$I_{AC,max}$	$I_{AC,R}$	Ordering code
100 Hz	dimens.	100 Hz	100 Hz	10 kHz	100 Hz	100 Hz	100 Hz	(composition see below)
20 °C	d × l	20 °C	20 °C	20 °C	60 °C	85 °C	105 °C	
μF	mm	mΩ	mΩ	mΩ	A	A	A	
<b><math>V_R = 350</math> V DC</b>								
560	35 × 45	160	250	200	6.22	4.65	2.30	B435*5A4567M0##
560	40 × 40	160	250	200	6.31	4.72	2.33	B435*5B4567M0##
680	35 × 55	130	200	160	7.39	5.52	2.73	B435*5A4687M0##
680	40 × 45	130	200	160	7.24	5.41	2.68	B435*5B4687M0##
820	35 × 65	110	170	140	8.09	6.05	2.99	B435*5A4827M0##
820	40 × 50	110	170	140	8.25	6.17	3.05	B435*5B4827M0##
820	45 × 40	110	170	140	7.70	5.76	2.85	B43515C4827M0##
1000	35 × 75	90	140	110	9.46	7.08	3.50	B435*5A4108M0##
1000	40 × 60	90	140	110	9.11	6.82	3.37	B435*5B4108M0##
1000	45 × 45	90	140	110	8.26	6.18	3.06	B43515C4108M0##
1200	40 × 65	75	120	100	10.2	7.70	3.81	B435*5A4128M0##
1200	45 × 50	75	120	100	9.40	7.02	3.47	B43515B4128M0##
1500	40 × 80	60	100	75	12.4	9.33	4.62	B435*5A4158M0##
1500	45 × 65	60	100	75	11.5	8.62	4.27	B43515B4158M0##
1800	40 × 95	50	80	65	14.6	10.9	5.43	B435*5A4188M0##
1800	45 × 75	50	80	65	13.3	9.97	4.93	B43515B4188M0##
2200	45 × 90	40	65	50	15.8	11.8	5.86	B43515A4228M0##
2700	45 × 100	35	55	45	18.3	13.6	6.77	B43515A4278M0##

Capacitors with solder pins are only available in 35 and 40 mm case diameters.

**Composition of ordering code**

\* = Terminal type

1 = 4-pin snap-in terminals

2 = solder pin

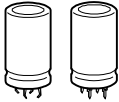
## = Terminal style and insulation feature

00 = solder pin or 4-pin snap-in standard terminals and PVC insulation

07 = 4-pin snap-in short terminals and PVC insulation

80 = 4-pin snap-in standard terminals and PVC insulation with additional PET insulation cap on terminal side

87 = 4-pin snap-in short terminals and PVC insulation with additional PET insulation cap on terminal side



**B43515, B43525**

**Extended temperature range – 105 °C**

**Technical data and ordering codes**

$C_R$	Case	$ESR_{typ}$	$ESR_{max}$	$Z_{max}$	$I_{AC,max}$	$I_{AC,max}$	$I_{AC,R}$	Ordering code
100 Hz	dimens.	100 Hz	100 Hz	10 kHz	100 Hz	100 Hz	100 Hz	(composition see below)
20 °C	d × l	20 °C	20 °C	20 °C	60 °C	85 °C	105 °C	
μF	mm	mΩ	mΩ	mΩ	A	A	A	
<b><math>V_R = 400</math> V DC</b>								
470	35 × 45	190	290	240	5.70	4.26	2.11	B435*5A9477M0##
470	40 × 40	190	290	240	5.80	4.32	2.14	B435*5B9477M0##
560	35 × 55	160	250	200	6.70	5.01	2.48	B435*5A9567M0##
560	40 × 45	160	250	200	6.60	4.91	2.43	B435*5B9567M0##
560	45 × 40	160	250	200	6.40	4.76	2.35	B43515C9567M0##
680	35 × 65	130	200	160	7.40	5.51	2.73	B435*5A9687M0##
680	40 × 50	130	200	160	7.50	5.62	2.78	B435*5B9687M0##
680	45 × 40	130	200	160	7.00	5.24	2.59	B43515C9687M0##
820	35 × 75	110	170	140	8.60	6.41	3.17	B435*5A9827M0##
820	40 × 60	110	170	140	8.30	6.17	3.05	B435*5B9827M0##
820	45 × 45	110	170	140	7.50	5.60	2.77	B43515C9827M0##
1000	40 × 65	90	140	110	9.40	7.03	3.48	B435*5A9108M0##
1000	45 × 50	90	140	110	8.60	6.41	3.17	B43515B9108M0##
1200	40 × 80	75	120	100	11.1	8.35	4.13	B435*5A9128M0##
1200	45 × 60	75	120	100	10.0	7.49	3.70	B43515B9128M0##
1500	45 × 70	60	100	75	11.8	8.86	4.39	B43515A9158M0##
1800	45 × 90	50	80	65	14.3	10.7	5.30	B43515A9188M0##

Capacitors with solder pins are only available in 35 and 40 mm case diameters.

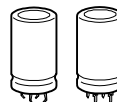
**Composition of ordering code**

\* = Terminal type

- 1 = 4-pin snap-in terminals
- 2 = solder pin

## = Terminal style and insulation feature

- 00 = solder pin or 4-pin snap-in standard terminals and PVC insulation
- 07 = 4-pin snap-in short terminals and PVC insulation
- 80 = 4-pin snap-in standard terminals and PVC insulation with additional PET insulation cap on terminal side
- 87 = 4-pin snap-in short terminals and PVC insulation with additional PET insulation cap on terminal side


**Technical data and ordering codes**

$C_R$	Case	$ESR_{typ}$	$ESR_{max}$	$Z_{max}$	$I_{AC,max}$	$I_{AC,max}$	$I_{AC,R}$	Ordering code
100 Hz	dimens.	100 Hz	100 Hz	10 kHz	100 Hz	100 Hz	100 Hz	(composition see below)
20 °C	d × l	20 °C	20 °C	20 °C	60 °C	85 °C	105 °C	
μF	mm	mΩ	mΩ	mΩ	A	A	A	
<b><math>V_R = 420</math> V DC</b>								
390	35 × 45	390	600	480	5.20	3.88	1.92	B435*5A0397M0##
390	40 × 40	390	600	480	5.30	3.94	1.95	B435*5B0397M0##
470	35 × 55	330	500	400	6.10	4.59	2.27	B435*5A0477M0##
470	40 × 45	330	500	400	6.00	4.50	2.23	B435*5B0477M0##
560	35 × 60	270	420	330	6.90	5.18	2.56	B435*5A0567M0##
560	40 × 50	270	420	330	6.80	5.10	2.52	B435*5B0567M0##
560	45 × 40	270	420	330	6.40	4.76	2.35	B43515C0567M0##
680	35 × 70	230	340	280	7.60	5.68	2.81	B435*5A0687M0##
680	40 × 60	230	340	280	7.50	5.62	2.78	B435*5B0687M0##
680	45 × 45	230	340	280	6.80	5.10	2.52	B43515C0687M0##
820	35 × 80	190	290	230	8.80	6.58	3.26	B435*5A0827M0##
820	40 × 60	190	290	230	8.30	6.17	3.05	B435*5B0827M0##
820	45 × 50	190	290	230	7.80	5.80	2.87	B43515C0827M0##
1000	40 × 75	150	240	190	9.90	7.43	3.67	B435*5A0108M0##
1000	45 × 60	150	240	190	9.10	6.83	3.38	B43515B0108M0##
1200	40 × 90	130	200	160	11.7	8.76	4.33	B435*5A0128M0##
1200	45 × 70	130	200	160	10.6	7.93	3.92	B43515B0128M0##
1500	45 × 80	100	160	130	12.4	9.33	4.62	B43515A0158M0##
1800	45 × 95	85	130	110	14.6	10.9	5.42	B43515A0188M0##

Capacitors with solder pins are only available in 35 and 40 mm case diameters.

**Composition of ordering code**

\* = Terminal type

1 = 4-pin snap-in terminals

2 = solder pin

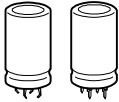
## = Terminal style and insulation feature

00 = solder pin or 4-pin snap-in standard terminals and PVC insulation

07 = 4-pin snap-in short terminals and PVC insulation

80 = 4-pin snap-in standard terminals and PVC insulation with additional PET insulation cap on terminal side

87 = 4-pin snap-in short terminals and PVC insulation with additional PET insulation cap on terminal side



**B43515, B43525**

**Extended temperature range – 105 °C**

**Technical data and ordering codes**

$C_R$	Case	$ESR_{typ}$	$ESR_{max}$	$Z_{max}$	$I_{AC,max}$	$I_{AC,max}$	$I_{AC,R}$	Ordering code
100 Hz	dimens.	100 Hz	100 Hz	10 kHz	100 Hz	100 Hz	100 Hz	(composition see below)
20 °C	d × l	20 °C	20 °C	20 °C	60 °C	85 °C	105 °C	
μF	mm	mΩ	mΩ	mΩ	A	A	A	
<b><math>V_R = 450</math> V DC</b>								
390	35 × 50	390	600	480	5.40	4.04	2.00	B435*5A5397M0##
390	40 × 40	390	600	480	5.30	3.94	1.95	B435*5B5397M0##
470	35 × 55	330	500	400	6.10	4.59	2.27	B435*5A5477M0##
470	40 × 45	330	500	400	6.00	4.50	2.23	B435*5B5477M0##
470	45 × 40	330	500	400	5.80	4.36	2.15	B43515C5477M0##
560	35 × 65	270	420	330	6.70	5.00	2.47	B435*5A5567M0##
560	40 × 50	270	420	330	6.80	5.10	2.52	B435*5B5567M0##
560	45 × 40	270	420	330	6.40	4.76	2.35	B43515C5567M0##
680	35 × 75	230	340	280	7.80	5.84	2.89	B435*5A5687M0##
680	40 × 60	230	340	280	7.50	5.62	2.78	B435*5B5687M0##
680	45 × 50	230	340	280	7.10	5.28	2.61	B43515C5687M0##
820	40 × 70	190	290	230	8.80	6.55	3.24	B435*5A5827M0##
820	45 × 50	190	290	230	7.80	5.80	2.87	B43515B5827M0##
1000	40 × 80	150	240	190	10.1	7.62	3.77	B435*5A5108M0##
1000	45 × 65	150	240	190	9.40	7.04	3.48	B43515B5108M0##
1200	40 × 95	130	200	160	11.9	8.95	4.43	B435*5A5128M0##
1200	45 × 75	130	200	160	10.8	8.14	4.03	B43515B5128M0##
1500	45 × 90	100	160	130	13.0	9.78	4.84	B43515A5158M0##

Capacitors with solder pins are only available in 35 and 40 mm case diameters.

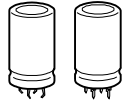
**Composition of ordering code**

\* = Terminal type

- 1 = 4-pin snap-in terminals
- 2 = solder pin

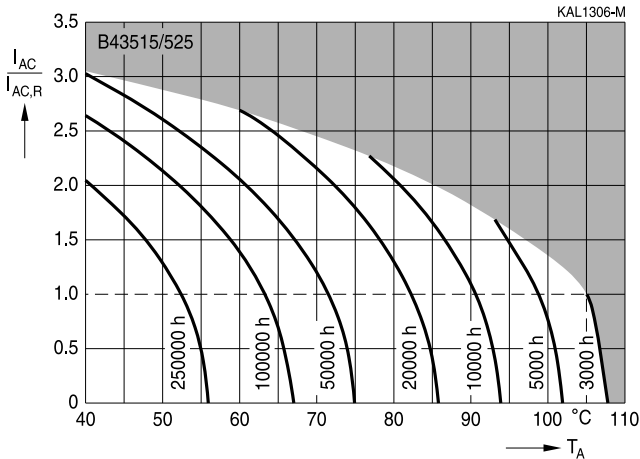
## = Terminal style and insulation feature

- 00 = solder pin or 4-pin snap-in standard terminals and PVC insulation
- 07 = 4-pin snap-in short terminals and PVC insulation
- 80 = 4-pin snap-in standard terminals and PVC insulation with additional PET insulation cap on terminal side
- 87 = 4-pin snap-in short terminals and PVC insulation with additional PET insulation cap on terminal side

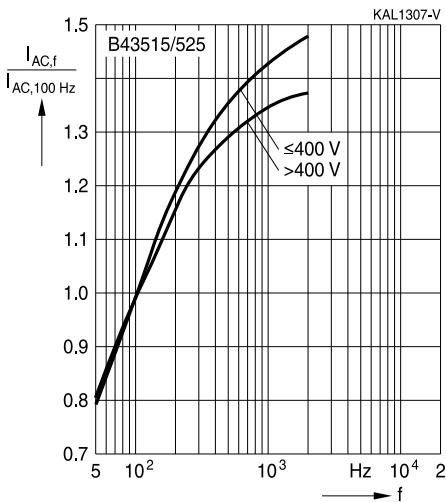


### Useful life

depending on ambient temperature  $T_A$  under ripple current operating conditions<sup>1)</sup>

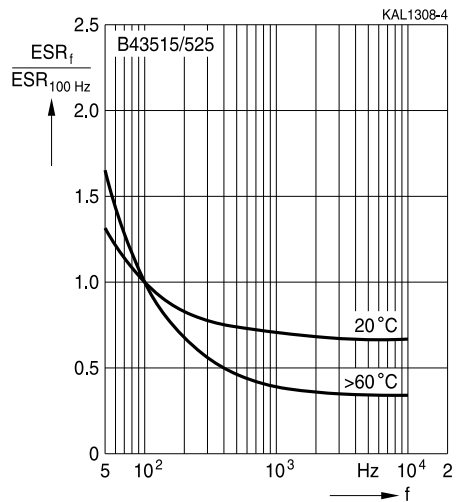


### Frequency factor of permissible ripple current $I_{AC}$ versus frequency $f$



### Frequency characteristics of ESR

Typical behavior



1) Refer to chapter "General technical information, 5.3 Calculation of useful life" on how to interpret the useful life graphs.

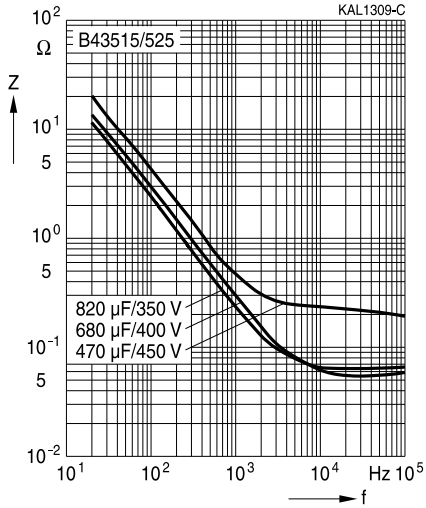


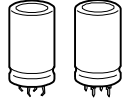
**B43515, B43525**

**Compact – 105 °C**

**Impedance Z versus frequency f**

Typical behavior at 20 °C





## Cautions and warnings

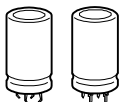
### Personal safety

The electrolytes used by EPCOS have not only been optimized with a view to the intended application, but also with regard to health and environmental compatibility. They do not contain any solvents that are detrimental to health, e.g. dimethyl formamide (DMF) or dimethyl acetamide (DMAC).

Furthermore, part of the high-voltage electrolytes used by EPCOS are self-extinguishing. They contain flame-retarding substances which will quickly extinguish any flame that may have been ignited.

As far as possible, EPCOS does not use any dangerous chemicals or compounds to produce operating electrolytes. However, in exceptional cases, such materials must be used in order to achieve specific physical and electrical properties because no safe substitute materials are currently known. However, the amount of dangerous materials used in our products has been limited to an absolute minimum. Nevertheless, the following rules should be observed when handling aluminum electrolytic capacitors:

- Any escaping electrolyte should not come into contact with eyes or skin.
- If electrolyte does come into contact with the skin, wash the affected parts immediately with running water. If the eyes are affected, rinse them for 10 minutes with plenty of water. If symptoms persist, seek medical treatment.
- Avoid breathing in electrolyte vapor or mists. Workplaces and other affected areas should be well ventilated. Clothing that has been contaminated by electrolyte must be changed and rinsed in water.

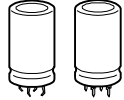

**B43515, B43525**
**Compact – 105 °C**

### Product safety

The table below summarizes the safety instructions that must be observed without fail. A detailed description can be found in the relevant sections of chapter "General technical information".

Topic	Safety information	Reference chapter "General technical information"
Polarity	Make sure that polar capacitors are connected with the right polarity.	1 "Basic construction of aluminum electrolytic capacitors"
Reverse voltage	Voltages polarity classes should be prevented by connecting a diode.	3.1.6 "Reverse voltage"
Upper category temperature	Do not exceed the upper category temperature.	7.2 "Maximum permissible operating temperature"
Maintenance	Make periodic inspections of the capacitors. Before the inspection, make sure that the power supply is turned off and carefully discharge the electricity of the capacitors. Do not apply any mechanical stress to the capacitor terminals.	10 "Maintenance"
Mounting position of screw-terminal capacitors	Do not mount the capacitor with the terminals (safety vent) upside down.	11.1. "Mounting positions of capacitors with screw terminals"
Mounting of single-ended capacitors	The internal structure of single-ended capacitors might be damaged if excessive force is applied to the lead wires. Avoid any compressive, tensile or flexural stress. Do not move the capacitor after soldering to PC board. Do not pick up the PC board by the soldered capacitor. Do not insert the capacitor on the PC board with a hole space different to the lead space specified.	11.4 "Mounting considerations for single-ended capacitors"
Robustness of terminals	The following maximum tightening torques must not be exceeded when connecting screw terminals: M5: 2 Nm M6: 2.5 Nm	11.3 "Mounting torques"
Soldering	Do not exceed the specified time or temperature limits during soldering.	11.5 "Soldering"





Topic	Safety information	Reference chapter "General technical information"
Soldering, cleaning agents	Do not allow halogenated hydrocarbons to come into contact with aluminum electrolytic capacitors.	11.6 "Cleaning agents"
Passive flammability	Avoid external energy, such as fire or electricity.	8.1 "Passive flammability"
Active flammability	Avoid overload of the capacitors.	8.2 "Active flammability"
		Reference chapter "Capacitors with screw terminals"
Breakdown strength of insulating sleeves	Do not damage the insulating sleeve, especially when ring clips are used for mounting.	"Screw terminals – accessories"


**B43515, B43525**
**Compact – 105 °C**
**Symbols and terms**

Symbol	English	German
C	Capacitance	Kapazität
$C_R$	Rated capacitance	Nennkapazität
$C_S$	Series capacitance	Serienkapazität
$C_{S,T}$	Series capacitance at temperature T	Serienkapazität bei Temperatur T
$C_f$	Capacitance at frequency f	Kapazität bei Frequenz f
d	Case diameter, nominal dimension	Gehäusedurchmesser, Nennmaß
$d_{max}$	Maximum case diameter	Maximaler Gehäusedurchmesser
ESL	Self-inductance	Eigeninduktivität
ESR	Equivalent series resistance	Ersatzserienwiderstand
$ESR_f$	Equivalent series resistance at frequency f	Ersatzserienwiderstand bei Frequenz f
$ESR_T$	Equivalent series resistance at temperature T	Ersatzserienwiderstand bei Temperatur T
f	Frequency	Frequenz
I	Current	Strom
$I_{AC}$	Alternating current (ripple current)	Wechselstrom
$I_{AC,rms}$	Root-mean-square value of alternating current	Wechselstrom, Effektivwert
$I_{AC,f}$	Ripple current at frequency f	Wechselstrom bei Frequenz f
$I_{AC,max}$	Maximum permissible ripple current	Maximal zulässiger Wechselstrom
$I_{AC,R}$	Rated ripple current	Nennwechselstrom
$I_{AC,R} (B)$	Rated ripple current for base cooling	Nennwechselstromstrom für Bodenkühlung
$I_{leak}$	Leakage current	Reststrom
$I_{leak,op}$	Operating leakage current	Betriebsreststrom
l	Case length, nominal dimension	Gehäuselänge, Nennmaß
$l_{max}$	Maximum case length (without terminals and mounting stud)	Maximale Gehäuselänge (ohne Anschlüsse und Gewindebolzen)
R	Resistance	Widerstand
$R_{ins}$	Insulation resistance	Isolationswiderstand
$R_{symm}$	Balancing resistance	Symmetrierwiderstand
T	Temperature	Temperatur
$\Delta T$	Temperature difference	Temperaturdifferenz
$T_A$	Ambient temperature	Umgebungstemperatur
$T_C$	Case temperature	Gehäusetemperatur
$T_B$	Capacitor base temperature	Temperatur des Becherbodens
t	Time	Zeit
$\Delta t$	Period	Zeitraum
$t_b$	Service life (operating hours)	Brauchbarkeitsdauer (Betriebszeit)



Symbol	English	German
V	Voltage	Spannung
V <sub>F</sub>	Forming voltage	Formierspannung
V <sub>op</sub>	Operating voltage	Betriebsspannung
V <sub>R</sub>	Rated voltage, DC voltage	Nennspannung, Gleichspannung
V <sub>S</sub>	Surge voltage	Spitzenspannung
X <sub>C</sub>	Capacitive reactance	Kapazitiver Blindwiderstand
X <sub>L</sub>	Inductive reactance	Induktiver Blindwiderstand
Z	Impedance	Scheinwiderstand
Z <sub>T</sub>	Impedance at temperature T	Scheinwiderstand bei Temperatur T
tan δ	Dissipation factor	Verlustfaktor
λ	Failure rate	Ausfallrate
ε <sub>0</sub>	Absolute permittivity	Elektrische Feldkonstante
ε <sub>r</sub>	Relative permittivity	Dielektrizitätszahl
ω	Angular velocity; 2 · π · f	Kreisfrequenz; 2 · π · f

**Note**

All dimensions are given in mm.

## Important notes

The following applies to all products named in this publication:

1. Some parts of this publication contain **statements about the suitability of our products for certain areas of application**. These statements are based on our knowledge of typical requirements that are often placed on our products in the areas of application concerned. We nevertheless expressly point out **that such statements cannot be regarded as binding statements about the suitability of our products for a particular customer application**. As a rule, EPCOS is either unfamiliar with individual customer applications or less familiar with them than the customers themselves. For these reasons, it is always ultimately incumbent on the customer to check and decide whether an EPCOS product with the properties described in the product specification is suitable for use in a particular customer application.
2. We also point out that **in individual cases, a malfunction of electronic components or failure before the end of their usual service life cannot be completely ruled out in the current state of the art, even if they are operated as specified**. In customer applications requiring a very high level of operational safety and especially in customer applications in which the malfunction or failure of an electronic component could endanger human life or health (e.g. in accident prevention or lifesaving systems), it must therefore be ensured by means of suitable design of the customer application or other action taken by the customer (e.g. installation of protective circuitry or redundancy) that no injury or damage is sustained by third parties in the event of malfunction or failure of an electronic component.
3. **The warnings, cautions and product-specific notes must be observed.**
4. In order to satisfy certain technical requirements, **some of the products described in this publication may contain substances subject to restrictions in certain jurisdictions (e.g. because they are classed as hazardous)**. Useful information on this will be found in our Material Data Sheets on the Internet ([www.epcos.com/material](http://www.epcos.com/material)). Should you have any more detailed questions, please contact our sales offices.
5. We constantly strive to improve our products. Consequently, **the products described in this publication may change from time to time**. The same is true of the corresponding product specifications. Please check therefore to what extent product descriptions and specifications contained in this publication are still applicable before or when you place an order. We also **reserve the right to discontinue production and delivery of products**. Consequently, we cannot guarantee that all products named in this publication will always be available. The aforementioned does not apply in the case of individual agreements deviating from the foregoing for customer-specific products.
6. Unless otherwise agreed in individual contracts, **all orders are subject to the current version of the "General Terms of Delivery for Products and Services in the Electrical Industry" published by the German Electrical and Electronics Industry Association (ZVEI)**.
7. The trade names EPCOS, BAOKE, Alu-X, CeraDiode, CSMP, CSSP, CTVS, DeltaCap, DigiSiMic, DSSP, FormFit, MiniBlue, MiniCell, MKK, MKD, MLSC, MotorCap, PCC, PhaseCap, PhaseCube, PhaseMod, PhiCap, SIFERRIT, SIFI, SIKOREL, SilverCap, SIMDAD, SiMic, SIMID, SineFormer, SIOV, SIP5D, SIP5K, ThermoFuse, WindCap are **trade-marks registered or pending** in Europe and in other countries. Further information will be found on the Internet at [www.epcos.com/trademarks](http://www.epcos.com/trademarks).