



# Aluminum electrolytic capacitors

## Snap-in capacitors

**Series/Type:** B43501  
**Date:** September 2011

## Long-life grade capacitors

### Applications

- Frequency converters
- Uninterruptible power supplies
- Switch-mode power supplies in industrial and entertainment electronics

### Features

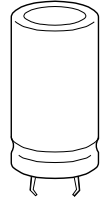
- Voltage derating ( $0.93 \cdot V_R$ ) enables 105 °C operation, more details available upon request
- Long useful life
- High reliability
- High ripple current capability
- Low ESR
- High CV product, compact
- Different case sizes available for each capacitance value
- Capacitors with all insulation versions pass the needle flame test according to IEC 60695-11-5 for all flame exposure times up to 120 s
- RoHS-compatible

### Construction

- Charge/discharge-proof, polar
- Aluminum case, fully insulated with PVC
- Version with PET insulation available
- Version with additional PET insulation cap on terminal side available for insulating the capacitor from the PCB
- Snap-in solder pins to hold component in place on PC-board
- Minus pole marking on case surface
- Minus pole not insulated from case
- Overload protection by safety vent on the base

### Terminals

- Standard version with 2 terminals, 2 lengths available: 6.3 and 4.5 mm
- 3 terminals to ensure correct insertion: length 4.5 mm




**Specifications and characteristics in brief**

Rated voltage $V_R$	160 ... 500 V DC		
Surge voltage $V_S$	1.15 · $V_R$ (for $V_R \leq 250$ V DC) 1.10 · $V_R$ (for $V_R \geq 385$ V DC)		
Rated capacitance $C_R$	47 ... 2200 $\mu$ F		
Capacitance tolerance	$\pm 20\% \triangleq M$		
Leakage current $I_{leak}$ (5 min, 20 °C)	$I_{leak} \leq 0.3 \mu A \cdot \left( \frac{C_R}{\mu F} \cdot \frac{V_R}{V} \right)^{0.7} + 4 \mu A$		
Self-inductance ESL	Approx. 20 nH		
Useful life		Requirements:	
85 °C; $V_R$ ; $I_{AC,R}$	> 10000 h	$\Delta C/C$	$\leq \pm 30\%$ of initial value
40 °C; $V_R$ ; 1.15 · $I_{AC,R}$	> 250000 h	ESR	$\leq 3$ times initial specified limit
		$I_{leak}$	$\leq$ initial specified limit
Voltage endurance test		Post test requirements:	
85 °C; $V_R$	5000 h	$\Delta C/C$	$\leq \pm 10\%$ of initial value
		ESR	$\leq 1.3$ times initial specified limit
		$I_{leak}$	$\leq$ initial specified limit
Vibration resistance test	To IEC 60068-2-6, test Fc: Frequency range 10 Hz ... 55 Hz, displacement amplitude 0.35 mm, acceleration max. 5 g, duration 3 × 2 h. Capacitor mounted by its body which is rigidly clamped to the work surface.		
Characteristics at low temperature	Max. impedance ratio	$V_R$	$\leq 400$ V
	at 100 Hz		420 ... 450 V
		$Z_{-25\text{ °C}} / Z_{20\text{ °C}}$	500 V
			3
		$Z_{-40\text{ °C}} / Z_{20\text{ °C}}$	7
			12
			20
IEC climatic category	To IEC 60068-1: ■ $V_R \leq 400$ V DC: 40/085/56 (–40 °C/+85 °C/56 days damp heat test) ■ $V_R \geq 420$ V DC: 25/085/56 (–25 °C/+85 °C/56 days damp heat test) The capacitors can be operated in the temperature range of –40 °C to +85 °C but the impedance at –40 °C should be taken into consideration.		
Detail specification	Similar to CECC 30301-811		
Sectional specification	IEC 60384-4		

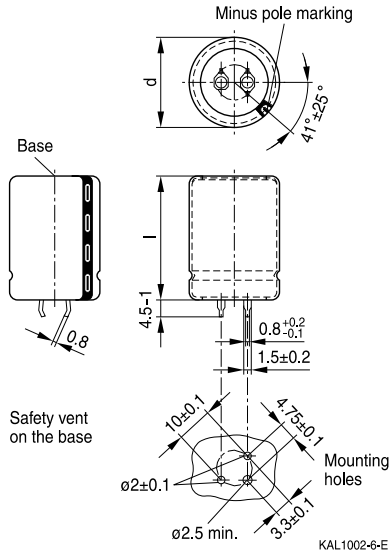
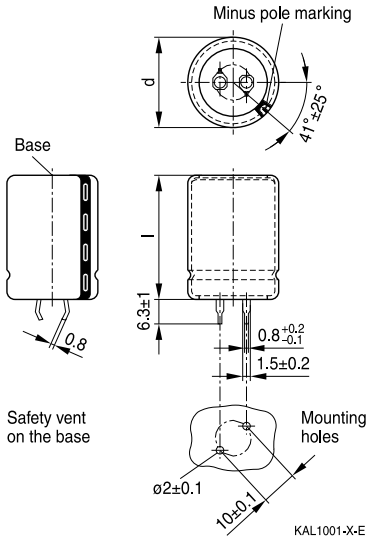


**B43501**

**Long useful life – 85 °C**

**Dimensional drawings**

**Snap-in capacitors with standard insulation (PVC or PET)**

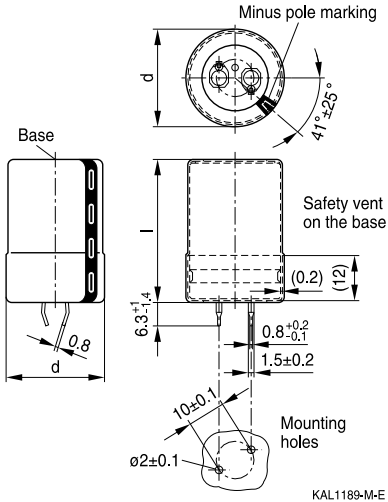


Snap-in terminals, length (6.3 ± 1) mm. Also available in a shorter version with a length of (4.5 – 1) mm. PET insulation is marked with label "PET" on the sleeve.

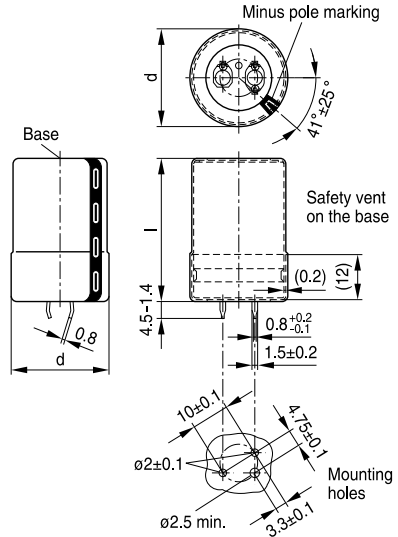
Snap-in capacitors are also available with 3 terminals (length (4.5 – 1) mm). PET insulation is marked with label "PET" on the sleeve.

Dimensions (mm)		Approx. weight (g)	Packing units (pcs.)
d +1	l ±2		
22	25	9	160
22	30	12	160
22	35	15	160
22	40	18	160
25	25	13	130
25	30	17	130
25	35	19	130
25	40	22	130
25	45	25	130
25	50	29	130
25	55	32	130

Dimensions (mm)		Approx. weight (g)	Packing units (pcs.)
d +1	l ±2		
30	25	17	80
30	30	23	80
30	35	29	80
30	40	36	80
30	45	41	80
30	50	46	80
30	55	53	80
35	30	29	60
35	35	36	60
35	40	41	60
35	45	56	60
35	50	70	60
35	55	81	60


**Snap-in capacitors with PVC insulation and PET insulation cap on terminal side**


KAL1189-M-E



KAL1177-Y-E

Snap-in terminals, length (6.3 +1/-1.4) mm. Also available in a shorter version with a length of (4.5 -1.4) mm. PET insulation cap is positioned under the insulation sleeve.

Snap-in capacitors are also available with 3 terminals (length (4.5 -1.4) mm). PET insulation cap is positioned under the insulation sleeve.

Dimensions (mm)		Approx. weight (g)	Packing units (pcs.)
d +1.4	l +2.2/-2		
22	25	9	160
22	30	12	160
22	35	15	160
22	40	18	160
25	25	13	130
25	30	17	130
25	35	19	130
25	40	22	130
25	45	25	130
25	50	29	130
25	55	32	130

Dimensions (mm)		Approx. weight (g)	Packing units (pcs.)
d +1.4	l +2.2/-2		
30	25	17	80
30	30	23	80
30	35	29	80
30	40	36	80
30	45	41	80
30	50	46	80
30	55	53	80
35	30	29	60
35	35	36	60
35	40	41	60
35	45	56	60
35	50	70	60
35	55	81	60



**B43501**

**Long useful life – 85 °C**

### Packing of snap-in capacitors



For ecological reasons the packing is pure cardboard. Components can be withdrawn (in full or in part) in the correct position for insertion.

### Ordering codes for terminal styles and insulation features

Identification in 3rd block of ordering code

Snap-in capacitors

Terminal version	Insulation version		
	PVC	PET	PVC plus PET cap
Standard terminals 6.3 mm	M000	M060	M080
Short terminals 4.5 mm	M007	M067	M087
3 terminals 4.5 mm	M002	M062	M082

Ordering examples:

- B43501A9107M007 } snap-in capacitor with short terminals and standard PVC insulation
- B43501A9107M062 } snap-in capacitor with 3 terminals and PET insulation
- B43501A9107M080 } snap-in capacitor with standard terminals and PVC insulation with additional PET insulation cap on terminal side


**Overview of available types**

$V_R$ (V DC)	160	200	250	385	400	420	450	500
	Case dimensions $d \times l$ (mm)							
$C_R$ ( $\mu$ F)								
47							22 × 25	22 × 25
68				22 × 25	22 × 25		22 × 30 25 × 25	22 × 30 25 × 25
100				22 × 30 25 × 25	22 × 30 25 × 25	22 × 30 25 × 25	22 × 35 25 × 30 30 × 25	25 × 35 30 × 25
120					22 × 35	25 × 30		
150			22 × 25	22 × 40 25 × 30	22 × 40 30 × 25	22 × 40 25 × 35	25 × 35 30 × 30	25 × 45 30 × 30
180					30 × 30	25 × 35 30 × 30	30 × 35	25 × 50 30 × 35
220	22 × 25	22 × 25	22 × 30 25 × 25	25 × 40 30 × 30	25 × 40 30 × 30	25 × 40 30 × 35	25 × 50 30 × 35	30 × 40 35 × 35
270					25 × 45 30 × 35 35 × 30	25 × 55 30 × 35 35 × 30	25 × 55 30 × 40 35 × 35	30 × 50 35 × 35
330	22 × 30	22 × 30 25 × 25	22 × 35 25 × 30	25 × 50 30 × 40	25 × 55 30 × 45 35 × 30	30 × 45 35 × 35	30 × 50 35 × 40	30 × 55 35 × 45
390					30 × 45 35 × 35	30 × 50	30 × 55 35 × 45	35 × 50
470	22 × 35	22 × 35 25 × 30 30 × 25	25 × 35 30 × 30	30 × 50 35 × 40	30 × 50 35 × 45	30 × 55 35 × 45	35 × 50	35 × 55
560				30 × 55 35 × 45	35 × 45	35 × 50	35 × 55	
680	25 × 35	25 × 35 30 × 30	25 × 45 30 × 35 35 × 30	35 × 50	35 × 55			


**B43501**
**Long useful life – 85 °C**

$V_R$ (V DC)	160	200	250	385	400	420	450	500
	Case dimensions $d \times l$ (mm)							
$C_R$ ( $\mu$ F)								
1000	30 × 35	25 × 50 30 × 35 35 × 30	30 × 45 35 × 35					
1200		25 × 55 30 × 40	30 × 55 35 × 40					
1500	30 × 45	30 × 50 35 × 40	35 × 45					
1800		30 × 55 35 × 45	35 × 55					
2200	35 × 50	35 × 50						

The capacitance and voltage ratings listed above are available in different cases upon request. Other voltage and capacitance ratings are also available upon request.




**Technical data and ordering codes**

$C_R$ 100 Hz 20 °C μF	Case dimensions d × l mm	ESR <sub>typ</sub> 100 Hz 20 °C mΩ	ESR <sub>max</sub> 100 Hz 20 °C mΩ	Z <sub>max</sub> 10 kHz 20 °C mΩ	I <sub>AC,max</sub> 100 Hz 60 °C A	I <sub>AC,R</sub> <sup>1)</sup> 100 Hz 85 °C A	Ordering code (composition see below)
<b>V<sub>R</sub> = 160 V DC</b>							
220	22 × 25	530	910	730	2.15	1.10	B43501A1227M0*#
330	22 × 30	350	610	490	2.80	1.43	B43501A1337M0*#
470	22 × 35	250	430	340	3.54	1.81	B43501A1477M0*#
680	25 × 35	170	300	240	4.70	2.40	B43501A1687M0*#
1000	30 × 35	120	200	160	6.11	3.12	B43501A1108M0*#
1500	30 × 45	75	140	110	8.23	4.20	B43501A1158M0*#
2200	35 × 50	55	90	75	11.3	5.81	B43501A1228M0*#
<b>V<sub>R</sub> = 200 V DC</b>							
220	22 × 25	450	730	580	2.15	1.10	B43501E2227M0*#
330	22 × 30	300	490	390	2.80	1.43	B43501E2337M0*#
330	25 × 25	300	490	390	2.94	1.50	B43501F2337M0*#
470	22 × 35	210	340	280	3.54	1.81	B43501E2477M0*#
470	25 × 30	210	340	280	3.62	1.85	B43501F2477M0*#
470	30 × 25	210	340	280	3.74	1.91	B43501G2477M0*#
680	25 × 35	150	240	190	4.62	2.36	B43501F2687M0*#
680	30 × 30	150	240	190	4.78	2.44	B43501G2687M0*#
1000	25 × 50	100	160	130	6.03	3.08	B43501E2108M0*#
1000	30 × 35	100	160	130	5.74	2.93	B43501F2108M0*#
1000	35 × 30	100	160	130	6.03	3.08	B43501G2108M0*#
1200	25 × 55	85	140	110	6.87	3.51	B43501E2128M0*#
1200	30 × 40	85	140	110	6.60	3.37	B43501F2128M0*#
1500	30 × 50	65	110	90	8.01	4.09	B43501E2158M0*#
1500	35 × 40	65	110	90	8.15	4.16	B43501F2158M0*#
1800	30 × 55	55	90	75	9.11	4.65	B43501E2188M0*#
1800	35 × 45	55	90	75	9.31	4.75	B43501F2188M0*#
2200	35 × 50	45	75	60	10.7	5.46	B43501E2228M0*#

**Composition of ordering code**

\* = Insulation feature

0 = PVC insulation

6 = PET insulation

 8 = PVC insulation with additional PET insulation  
cap on terminal side

# = Terminal style

0 = snap-in standard terminals (6.3 mm)

2 = snap-in 3 terminals (4.5 mm)

7 = snap-in short terminals (4.5 mm)

 1) 120-Hz conversion factor of ripple current: I<sub>AC</sub> (120 Hz) = 1.03 · I<sub>AC</sub> (100 Hz)


**B43501**
**Long useful life – 85 °C**
**Technical data and ordering codes**

$C_R$	Case dimensions	$ESR_{typ}$	$ESR_{max}$	$Z_{max}$	$I_{AC,max}$	$I_{AC,R}^{(2)}$	Ordering code
100 Hz	d × l	100 Hz	100 Hz	10 kHz	100 Hz	100 Hz	(composition see below)
20 °C	mm	20 °C	20 °C	20 °C	60 °C	85 °C	
μF		mΩ	mΩ	mΩ	A	A	

 **$V_R = 250$  V DC**

150	22 × 25	660	1070	860	1.78	0.91	B43501C2157M0*#
220	22 × 30	450	730	580	2.35	1.20	B43501C2227M0*#
220	25 × 25	450	730	580	2.35	1.20	B43501D2227M0*#
330	22 × 35	300	490	390	2.95	1.51	B43501C2337M0*#
330	25 × 30	300	490	390	3.13	1.60	B43501D2337M0*#
470	25 × 35	210	340	280	3.84	1.96	B43501C2477M0*#
470	30 × 30	210	340	280	3.92	2.00	B43501D2477M0*#
680	25 × 45	150	240	190	5.07	2.59	B43501C2687M0*#
680	30 × 35	150	240	190	5.03	2.57	B43501D2687M0*#
680	35 × 30	150	240	190	4.97	2.54	B43501E2687M0*#
1000	30 × 45	100	160	130	6.29	3.21	B43501C2108M0*#
1000	35 × 35	100	160	130	6.35	3.24	B43501D2108M0*#
1200	30 × 55	85	140	110	7.44	3.80	B43501A2128M0*#
1200	35 × 40	85	140	110	7.29	3.72	B43501B2128M0*#
1500	35 × 45	65	110	90	8.50	4.34	B43501B2158M0*#
1800	35 × 55	55	90	75	10.0	5.12	B43501A2188M0*#

 **$V_R = 385$  V DC**

68	22 × 25	980	1950	1560	1.19	0.61	B43501A3686M0*#
100	22 × 30	660	1330	1060	1.54	0.79	B43501A3107M0*#
100	25 × 25	660	1330	1060	1.56	0.80	B43501B3107M0*#
150	22 × 40	440	890	710	2.15	1.10	B43501A3157M0*#
150	25 × 30	440	890	710	2.03	1.04	B43501B3157M0*#
220	25 × 40	300	610	490	2.76	1.41	B43501A3227M0*#
220	30 × 30	300	610	490	2.74	1.40	B43501B3227M0*#
330	25 × 50	200	410	330	3.68	1.88	B43501B3337M0*#
330	30 × 40	200	410	330	3.72	1.90	B43501A3337M0*#
470	30 × 50	140	290	230	4.78	2.44	B43501B3477M0*#
470	35 × 40	140	290	230	4.90	2.50	B43501A3477M0*#
560	30 × 55	120	240	190	5.40	2.76	B43501B3567M0*#
560	35 × 45	120	240	190	5.52	2.82	B43501A3567M0*#
680	35 × 50	100	200	160	6.13	3.13	B43501A3687M0*#

**Composition of ordering code**

\* = Insulation feature

0 = PVC insulation

6 = PET insulation

8 = PVC insulation with additional PET insulation cap on terminal side

# = Terminal style

0 = snap-in standard terminals (6.3 mm)

2 = snap-in 3 terminals (4.5 mm)

7 = snap-in short terminals (4.5 mm)

 2) 120-Hz conversion factor of ripple current:  $I_{AC}(120\text{ Hz}) = 1.03 \cdot I_{AC}(100\text{ Hz})$


**Technical data and ordering codes**

$C_R$ 100 Hz 20 °C μF	Case dimensions d × l mm	ESR <sub>typ</sub> 100 Hz 20 °C mΩ	ESR <sub>max</sub> 100 Hz 20 °C mΩ	Z <sub>max</sub> 10 kHz 20 °C mΩ	I <sub>AC,max</sub> 100 Hz 60 °C A	I <sub>AC,R</sub> <sup>3)</sup> 100 Hz 85 °C A	Ordering code (composition see below)
<b>V<sub>R</sub> = 400 V DC</b>							
68	22 × 25	980	1950	1560	1.19	0.61	B43501A9686M0*#
100	22 × 30	660	1330	1060	1.54	0.79	B43501A9107M0*#
100	25 × 25	660	1330	1060	1.56	0.80	B43501B9107M0*#
120	22 × 35	550	1100	890	1.80	0.92	B43501A9127M0*#
150	22 × 40	440	890	710	2.15	1.10	B43501A9157M0*#
150	30 × 25	440	890	710	2.15	1.10	B43501B9157M0*#
180	30 × 30	370	740	590	2.45	1.25	B43501A9187M0*#
220	25 × 40	300	610	490	2.76	1.41	B43501A9227M0*#
220	30 × 30	300	610	490	2.70	1.38	B43501C9227M0*#
270	25 × 45	250	490	400	3.19	1.63	B43501B9277M0*#
270	30 × 35	250	490	400	3.17	1.62	B43501A9277M0*#
270	35 × 30	250	490	400	3.33	1.70	B43501C9277M0*#
330	25 × 55	200	410	330	3.84	1.96	B43501B9337M0*#
330	30 × 45	200	410	330	3.92	2.00	B43501A9337M0*#
330	35 × 30	200	410	330	3.68	1.88	B43501C9337M0*#
390	30 × 45	170	340	280	4.17	2.13	B43501B9397M0*#
390	35 × 35	170	340	280	4.21	2.15	B43501C9397M0*#
470	30 × 50	140	290	230	4.78	2.44	B43501B9477M0*#
470	35 × 45	140	290	230	5.09	2.60	B43501A9477M0*#
560	35 × 45	120	240	190	5.52	2.82	B43501B9567M0*#
680	35 × 55	100	200	160	6.52	3.33	B43501A9687M0*#
<b>V<sub>R</sub> = 420 V DC</b>							
100	22 × 30	1330	1990	1600	1.54	0.79	B43501A0107M0*#
100	25 × 25	1330	1990	1600	1.56	0.80	B43501E0107M0*#
120	25 × 30	1110	1660	1330	1.84	0.94	B43501A0127M0*#
150	22 × 40	880	1330	1070	2.11	1.08	B43501A0157M0*#
150	25 × 35	880	1330	1070	2.17	1.11	B43501E0157M0*#
180	25 × 35	740	1110	890	2.37	1.21	B43501A0187M0*#
180	30 × 30	740	1110	890	2.46	1.26	B43501E0187M0*#
220	25 × 40	600	910	730	2.76	1.41	B43501A0227M0*#
220	30 × 35	600	910	730	2.86	1.46	B43501E0227M0*#

**Composition of ordering code**

* = Insulation feature	# = Terminal style
0 = PVC insulation	0 = snap-in standard terminals (6.3 mm)
6 = PET insulation	2 = snap-in 3 terminals (4.5 mm)
8 = PVC insulation with additional PET insulation cap on terminal side	7 = snap-in short terminals (4.5 mm)

3) 120-Hz conversion factor of ripple current: I<sub>AC</sub> (120 Hz) = 1.03 · I<sub>AC</sub> (100 Hz)


**B43501**
**Long useful life – 85 °C**
**Technical data and ordering codes**

$C_R$	Case dimensions	$ESR_{typ}$	$ESR_{max}$	$Z_{max}$	$I_{AC,max}$	$I_{AC,R}^{(4)}$	Ordering code (composition see below)
100 Hz 20 °C μF	d × l mm	100 Hz 20 °C mΩ	100 Hz 20 °C mΩ	10 kHz 20 °C mΩ	100 Hz 60 °C A	100 Hz 85 °C A	
<b><math>V_R = 420</math> V DC</b>							
270	25 × 55	490	740	590	3.46	1.77	B43501B0277M0*#
270	30 × 35	490	740	590	3.17	1.62	B43501A0277M0*#
270	35 × 30	490	740	590	3.35	1.71	B43501E0277M0*#
330	30 × 45	400	610	490	3.84	1.96	B43501A0337M0*#
330	35 × 35	400	610	490	3.88	1.98	B43501E0337M0*#
390	30 × 50	340	520	410	4.35	2.22	B43501A0397M0*#
470	30 × 55	280	430	340	4.95	2.53	B43501B0477M0*#
470	35 × 45	280	430	340	5.05	2.58	B43501A0477M0*#
560	35 × 50	240	360	290	5.74	2.93	B43501A0567M0*#
<b><math>V_R = 450</math> V DC</b>							
47	22 × 25	2820	4240	3390	0.99	0.51	B43501A5476M0*#
68	22 × 30	1950	2930	2350	1.27	0.65	B43501A5686M0*#
68	25 × 25	1950	2930	2350	1.29	0.66	B43501B5686M0*#
100	22 × 35	1330	1990	1600	1.62	0.83	B43501D5107M0*#
100	25 × 30	1330	1990	1600	1.68	0.86	B43501B5107M0*#
100	30 × 25	1330	1990	1600	1.76	0.90	B43501C5107M0*#
150	25 × 35	880	1330	1070	2.15	1.10	B43501C5157M0*#
150	30 × 30	880	1330	1070	2.23	1.14	B43501B5157M0*#
180	30 × 35	740	1100	890	2.58	1.32	B43501A5187M0*#
220	25 × 50	600	910	730	3.01	1.54	B43501B5227M0*#
220	30 × 35	600	910	730	2.86	1.46	B43501C5227M0*#
270	25 × 55	490	740	590	3.46	1.77	B43501B5277M0*#
270	30 × 40	490	740	590	3.33	1.70	B43501C5277M0*#
270	35 × 35	490	740	590	3.50	1.79	B43501D5277M0*#
330	30 × 50	400	610	490	3.99	2.04	B43501B5337M0*#
330	35 × 40	400	610	490	4.11	2.10	B43501A5337M0*#
390	30 × 55	340	520	410	4.50	2.30	B43501A5397M0*#
390	35 × 45	340	520	410	4.52	2.31	B43501B5397M0*#
470	35 × 50	280	430	340	5.29	2.70	B43501A5477M0*#
560	35 × 55	240	360	290	5.70	2.91	B43501A5567M0*#

**Composition of ordering code**

\* = Insulation feature

0 = PVC insulation

6 = PET insulation

8 = PVC insulation with additional PET insulation cap on terminal side

# = Terminal style

0 = snap-in standard terminals (6.3 mm)

2 = snap-in 3 terminals (4.5 mm)

7 = snap-in short terminals (4.5 mm)

 4) 120-Hz conversion factor of ripple current:  $I_{AC}(120\text{ Hz}) = 1.03 \cdot I_{AC}(100\text{ Hz})$


**Technical data and ordering codes**

$C_R$	Case dimensions	$ESR_{typ}$ 100 Hz 20 °C	$ESR_{max}$ 100 Hz 20 °C	$Z_{max}$ 10 kHz 20 °C	$I_{AC,max}$ 100 Hz 60 °C	$I_{AC,R}^{(5)}$ 100 Hz 85 °C	Ordering code (composition see below)
$\mu F$	mm	m $\Omega$	m $\Omega$	m $\Omega$	A	A	
<b><math>V_R = 500 V DC</math></b>							
47	22 × 25	2820	4240	3390	0.99	0.51	B43501A6476M0*#
68	22 × 30	1950	2930	2350	1.27	0.65	B43501A6686M0*#
68	25 × 25	1950	2930	2350	1.27	0.65	B43501B6686M0*#
100	25 × 35	1330	1990	1600	1.68	0.86	B43501A6107M0*#
100	30 × 25	1330	1990	1600	1.68	0.86	B43501B6107M0*#
150	25 × 45	880	1330	1070	2.15	1.10	B43501B6157M0*#
150	30 × 30	880	1330	1070	2.15	1.10	B43501A6157M0*#
180	25 × 50	740	1100	890	2.62	1.35	B43501A6187M0*#
180	30 × 35	740	1100	890	2.62	1.35	B43501B6187M0*#
220	30 × 40	600	910	730	2.92	1.50	B43501A6227M0*#
220	35 × 35	600	910	730	2.92	1.50	B43501B6227M0*#
270	30 × 50	490	740	590	3.33	1.70	B43501A6277M0*#
270	35 × 35	490	740	590	3.33	1.70	B43501B6277M0*#
330	30 × 55	400	610	490	3.99	2.04	B43501A6337M0*#
330	35 × 45	400	610	490	3.99	2.04	B43501B6337M0*#
390	35 × 50	340	520	410	4.50	2.30	B43501A6397M0*#
470	35 × 55	280	430	340	5.29	2.70	B43501A6477M0*#

**Composition of ordering code**

\* = Insulation feature

0 = PVC insulation

6 = PET insulation

8 = PVC insulation with additional PET insulation cap on terminal side

# = Terminal style

0 = snap-in standard terminals (6.3 mm)

2 = snap-in 3 terminals (4.5 mm)

7 = snap-in short terminals (4.5 mm)

5) 120-Hz conversion factor of ripple current:  $I_{AC}(120\text{ Hz}) = 1.03 \cdot I_{AC}(100\text{ Hz})$

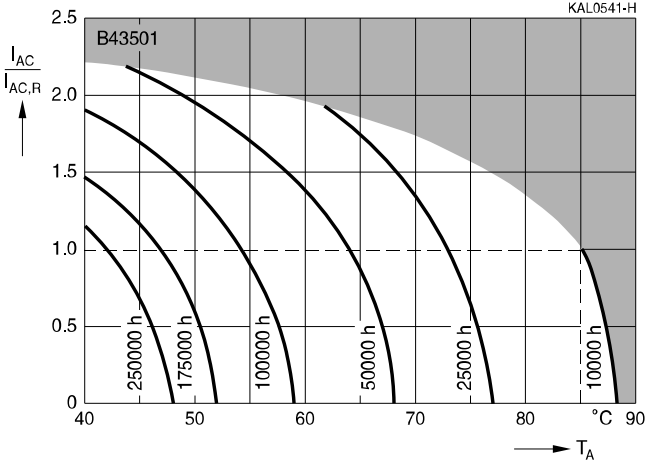


**B43501**

**Long useful life – 85 °C**

**Useful life**

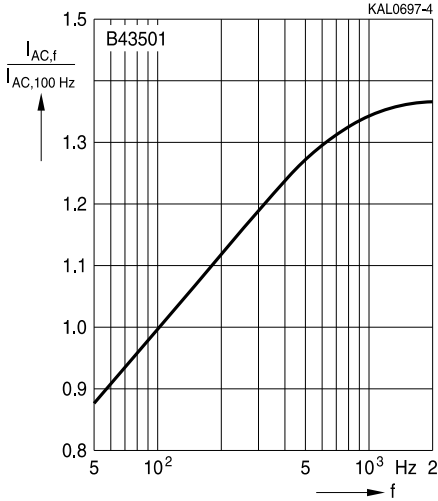
depending on ambient temperature  $T_A$  under ripple current operating conditions <sup>1)</sup>  
 Voltage derating ( $0.93 \cdot V_R$ ) enables 105 °C operation



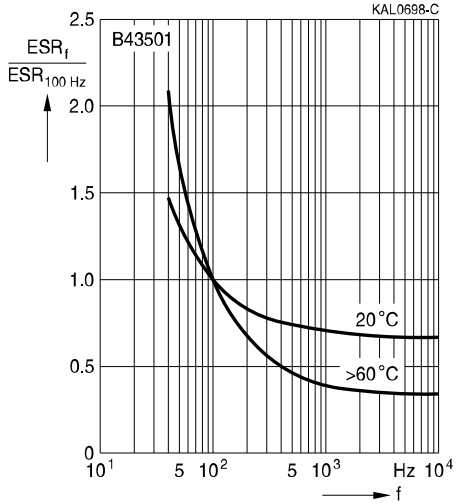
1) Refer to chapter "General technical information, 5.3 Calculation of useful life" for an explanation on how to interpret the useful life graphs.



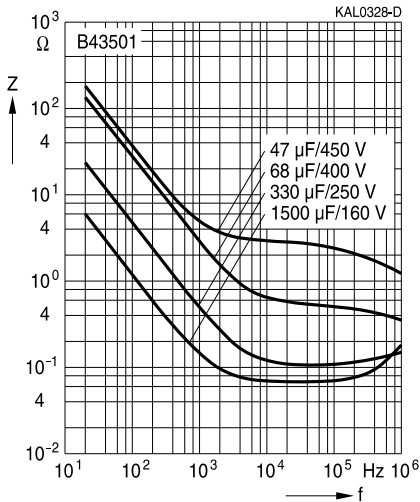
**Frequency factor of permissible ripple current  $I_{AC}$  versus frequency  $f$**



**Frequency characteristics of ESR**  
Typical behavior



**Impedance  $Z$  versus frequency  $f$**   
Typical behavior at 20 °C





B43501

Long useful life – 85 °C

## Cautions and warnings

### Personal safety

The electrolytes used by EPCOS have not only been optimized with a view to the intended application, but also with regard to health and environmental compatibility. They do not contain any solvents that are detrimental to health, e.g. dimethyl formamide (DMF) or dimethyl acetamide (DMAC).

Furthermore, part of the high-voltage electrolytes used by EPCOS are self-extinguishing. They contain flame-retarding substances which will quickly extinguish any flame that may have been ignited.

As far as possible, EPCOS does not use any dangerous chemicals or compounds to produce operating electrolytes. However, in exceptional cases, such materials must be used in order to achieve specific physical and electrical properties because no safe substitute materials are currently known. However, the amount of dangerous materials used in our products has been limited to an absolute minimum. Nevertheless, the following rules should be observed when handling aluminum electrolytic capacitors:

- Any escaping electrolyte should not come into contact with eyes or skin.
- If electrolyte does come into contact with the skin, wash the affected parts immediately with running water. If the eyes are affected, rinse them for 10 minutes with plenty of water. If symptoms persist, seek medical treatment.
- Avoid breathing in electrolyte vapor or mists. Workplaces and other affected areas should be well ventilated. Clothing that has been contaminated by electrolyte must be changed and rinsed in water.





## Product safety

The table below summarizes the safety instructions that must be observed without fail. A detailed description can be found in the relevant sections of chapter "General technical information".

Topic	Safety information	Reference chapter "General technical information"
Polarity	Make sure that polar capacitors are connected with the right polarity.	1 "Basic construction of aluminum electrolytic capacitors"
Reverse voltage	Voltages polarity classes should be prevented by connecting a diode.	3.1.6 "Reverse voltage"
Upper category temperature	Do not exceed the upper category temperature.	7.2 "Maximum permissible operating temperature"
Maintenance	Make periodic inspections of the capacitors. Before the inspection, make sure that the power supply is turned off and carefully discharge the electricity of the capacitors. Do not apply any mechanical stress to the capacitor terminals.	10 "Maintenance"
Mounting position of screw-terminal capacitors	Do not mount the capacitor with the terminals (safety vent) upside down.	11.1. "Mounting positions of capacitors with screw terminals"
Mounting of single-ended capacitors	The internal structure of single-ended capacitors might be damaged if excessive force is applied to the lead wires. Avoid any compressive, tensile or flexural stress. Do not move the capacitor after soldering to PC board. Do not pick up the PC board by the soldered capacitor. Do not insert the capacitor on the PC board with a hole space different to the lead space specified.	11.4 "Mounting considerations for single-ended capacitors"
Robustness of terminals	The following maximum tightening torques must not be exceeded when connecting screw terminals: M5: 2 Nm M6: 2.5 Nm	11.3 "Mounting torques"
Soldering	Do not exceed the specified time or temperature limits during soldering.	11.5 "Soldering"



**B43501**

**Long useful life – 85 °C**

Topic	Safety information	Reference chapter "General technical information"
Soldering, cleaning agents	Do not allow halogenated hydrocarbons to come into contact with aluminum electrolytic capacitors.	11.6 "Cleaning agents"
Passive flammability	Avoid external energy, such as fire or electricity.	8.1 "Passive flammability"
Active flammability	Avoid overload of the capacitors.	8.2 "Active flammability"
		Reference chapter "Capacitors with screw terminals"
Breakdown strength of insulating sleeves	Do not damage the insulating sleeve, especially when ring clips are used for mounting.	"Screw terminals – accessories"


**Symbols and terms**

Symbol	English	German
C	Capacitance	Kapazität
$C_R$	Rated capacitance	Nennkapazität
$C_S$	Series capacitance	Serienkapazität
$C_{S,T}$	Series capacitance at temperature T	Serienkapazität bei Temperatur T
$C_f$	Capacitance at frequency f	Kapazität bei Frequenz f
d	Case diameter, nominal dimension	Gehäusedurchmesser, Nennmaß
$d_{max}$	Maximum case diameter	Maximaler Gehäusedurchmesser
ESL	Self-inductance	Eigeninduktivität
ESR	Equivalent series resistance	Ersatzserienwiderstand
$ESR_f$	Equivalent series resistance at frequency f	Ersatzserienwiderstand bei Frequenz f
$ESR_T$	Equivalent series resistance at temperature T	Ersatzserienwiderstand bei Temperatur T
f	Frequency	Frequenz
I	Current	Strom
$I_{AC}$	Alternating current (ripple current)	Wechselstrom
$I_{AC,rms}$	Root-mean-square value of alternating current	Wechselstrom, Effektivwert
$I_{AC,f}$	Ripple current at frequency f	Wechselstrom bei Frequenz f
$I_{AC,max}$	Maximum permissible ripple current	Maximal zulässiger Wechselstrom
$I_{AC,R}$	Rated ripple current	Nennwechselstrom
$I_{AC,R}(B)$	Rated ripple current for base cooling	Nennwechselstromstrom für Bodenkühlung
$I_{leak}$	Leakage current	Reststrom
$I_{leak,op}$	Operating leakage current	Betriebsreststrom
l	Case length, nominal dimension	Gehäuselänge, Nennmaß
$l_{max}$	Maximum case length (without terminals and mounting stud)	Maximale Gehäuselänge (ohne Anschlüsse und Gewindebolzen)
R	Resistance	Widerstand
$R_{ins}$	Insulation resistance	Isolationswiderstand
$R_{symm}$	Balancing resistance	Symmetrierwiderstand
T	Temperature	Temperatur
$\Delta T$	Temperature difference	Temperaturdifferenz
$T_A$	Ambient temperature	Umgebungstemperatur
$T_C$	Case temperature	Gehäusetemperatur
$T_B$	Capacitor base temperature	Temperatur des Becherbodens
t	Time	Zeit
$\Delta t$	Period	Zeitraum
$t_b$	Service life (operating hours)	Brauchbarkeitsdauer (Betriebszeit)


**B43501**
**Long useful life – 85 °C**

Symbol	English	German
V	Voltage	Spannung
V <sub>F</sub>	Forming voltage	Formierspannung
V <sub>op</sub>	Operating voltage	Betriebsspannung
V <sub>R</sub>	Rated voltage, DC voltage	Nennspannung, Gleichspannung
V <sub>S</sub>	Surge voltage	Spitzenspannung
X <sub>C</sub>	Capacitive reactance	Kapazitiver Blindwiderstand
X <sub>L</sub>	Inductive reactance	Induktiver Blindwiderstand
Z	Impedance	Scheinwiderstand
Z <sub>T</sub>	Impedance at temperature T	Scheinwiderstand bei Temperatur T
tan δ	Dissipation factor	Verlustfaktor
λ	Failure rate	Ausfallrate
ε <sub>0</sub>	Absolute permittivity	Elektrische Feldkonstante
ε <sub>r</sub>	Relative permittivity	Dielektrizitätszahl
ω	Angular velocity; $2 \cdot \pi \cdot f$	Kreisfrequenz; $2 \cdot \pi \cdot f$

**Note**

All dimensions are given in mm.

## Important notes

The following applies to all products named in this publication:

1. Some parts of this publication contain **statements about the suitability of our products for certain areas of application**. These statements are based on our knowledge of typical requirements that are often placed on our products in the areas of application concerned. We nevertheless expressly point out **that such statements cannot be regarded as binding statements about the suitability of our products for a particular customer application**. As a rule, EPCOS is either unfamiliar with individual customer applications or less familiar with them than the customers themselves. For these reasons, it is always ultimately incumbent on the customer to check and decide whether an EPCOS product with the properties described in the product specification is suitable for use in a particular customer application.
2. We also point out that **in individual cases, a malfunction of electronic components or failure before the end of their usual service life cannot be completely ruled out in the current state of the art, even if they are operated as specified**. In customer applications requiring a very high level of operational safety and especially in customer applications in which the malfunction or failure of an electronic component could endanger human life or health (e.g. in accident prevention or lifesaving systems), it must therefore be ensured by means of suitable design of the customer application or other action taken by the customer (e.g. installation of protective circuitry or redundancy) that no injury or damage is sustained by third parties in the event of malfunction or failure of an electronic component.
3. **The warnings, cautions and product-specific notes must be observed.**
4. In order to satisfy certain technical requirements, **some of the products described in this publication may contain substances subject to restrictions in certain jurisdictions (e.g. because they are classed as hazardous)**. Useful information on this will be found in our Material Data Sheets on the Internet ([www.epcos.com/material](http://www.epcos.com/material)). Should you have any more detailed questions, please contact our sales offices.
5. We constantly strive to improve our products. Consequently, **the products described in this publication may change from time to time**. The same is true of the corresponding product specifications. Please check therefore to what extent product descriptions and specifications contained in this publication are still applicable before or when you place an order. We also **reserve the right to discontinue production and delivery of products**. Consequently, we cannot guarantee that all products named in this publication will always be available. The aforementioned does not apply in the case of individual agreements deviating from the foregoing for customer-specific products.
6. Unless otherwise agreed in individual contracts, **all orders are subject to the current version of the "General Terms of Delivery for Products and Services in the Electrical Industry" published by the German Electrical and Electronics Industry Association (ZVEI)**.
7. The trade names EPCOS, BAOKE, Alu-X, CeraDiode, CSMP, CSSP, CTVS, DeltaCap, DigiSiMic, DSSP, FormFit, MiniBlue, MiniCell, MKK, MKD, MLSC, MotorCap, PCC, PhaseCap, PhaseCube, PhaseMod, PhiCap, SIFERRIT, SIFI, SIKOREL, SilverCap, SIMDAD, SiMic, SIMID, SineFormer, SIOV, SIP5D, SIP5K, ThermoFuse, WindCap are **trade-marks registered or pending** in Europe and in other countries. Further information will be found on the Internet at [www.epcos.com/trademarks](http://www.epcos.com/trademarks).